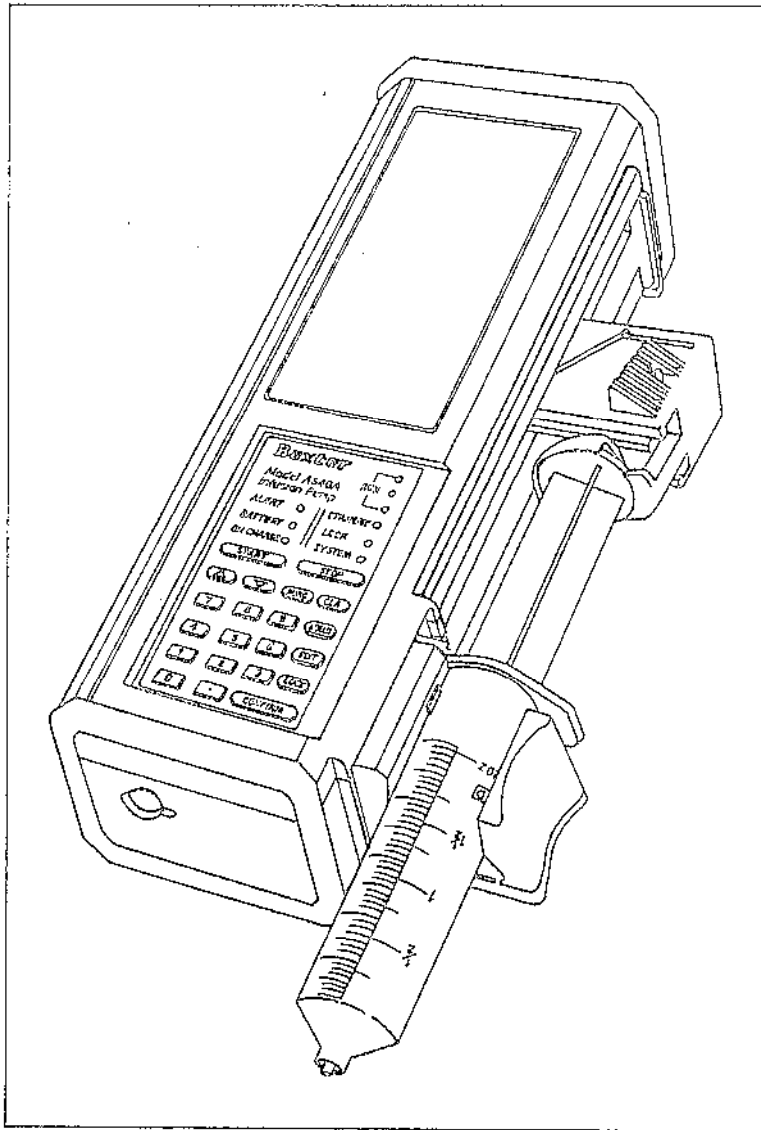


Operation Manual

Auto Syringe[®] AS40A

Model AS40A Infusion Pump



Baxter

TABLE OF CONTENTS

About This Manual	1
Device Description	2
Precautions	3
Special Precautions for Epidural Administration	6
Simplified Instructions	7
Programming	7
Operation	9
Programming The Continuous Infusion Modes	10
Programming The Timed Infusion Modes	11
General Device Information	13
Technical Specifications	13
The LCD Panel	14
The Keypad	16
The Status Panel	17
Operating States	18
Standby State	18
Run State	18
Data Display and Entry	19
Drug Library Option	20
Infusion Modes	21
Syringe Data Tables	23
Infusion Rate Ranges	23
Deliverable Volumes	24
Detailed Instructions	25
Preliminary Operations	25
Manual Prime	25
Mount the Syringe	25
Turn the Pump On	27
Check the Lamp Test Display	27
Programming	28
Using the Optional Drug Library	28
"mL/hr" Mode Programming	28
"U/hr" Mode Programming	30
"Single Dose" Mode Programming	31
"Manual Schedule" Mode Programming	33
"Auto Schedule" Mode Programming	35
"mcg/min" Mode Programming	36
"mcg/kg/min" Mode Programming	37
General Programming Information	38
Active Fields	38
Editing in Standby State	39

TABLE OF CONTENTS

Editing in Run State	40
Edit Cancellation	40
Number Out of Range	40
Data Test	41
Expanded Data Display	41
Additional Functions and Operations	42
Purge Operation	42
Purge Delivery Table	43
Bolus Operation	44
Bolus Units	44
Bolus Size Limits	44
Bolus Rate Limits	45
Bolus Programming	45
Bolus Programming Notes	45
Bolus Delivery	46
Bolus Delivery Notes	46
Bolus Review and Editing	46
Repeating a Bolus Delivery	46
Changing the Syringe	47
Lock and Auto Lock Functions	48
The Total Delivered Field	48
Configuration	49
Configuration Review	49
Configurable Options	50
Terminating Configuration Review	54
Custom Configuration	54
Standard Configuration	55
Charging the Battery	56
I.V. Pole Clamp	57
IV Pole Loop	58
Pump Maintenance	59
Cleaning	59
Daily Check	60
Keypad Check	60
Mechanical Check	61
Display Check	61
In Case of Difficulty	62
Alert and Alarm Displays	63
Error Responses	64
Alerts	66
Alarms	68

TABLE OF CONTENTS

Failsafe Alarms	70
Warranty	71
Service Information	72
INDEX	- i -

This page is intentionally blank.

About This Manual

This edition of the AS40A Operation Manual pertains to pumps with and without the Drug Library Option. This manual is intended for use by trained healthcare professionals, familiar with infusions and infusion pump procedures.

Notation used in this manual:

" ... " (**quotes**) In addition to the normal grammatical usage, quotes are used to differentiate names from units of measure.

For example, "mL/hr" refers to the name of an operating mode, whereas mL/hr is a unit of measure.

[...] (**square brackets**) Denote text prompts as they appear on the LCD panel.

For example, [ML/HR] is the exact text that appears on the bottom line of the LCD when selecting the "mL/hr" mode.

<...> (**angle brackets**) Enclose data exactly as entered on the keypad.

For example, <123> <CONFIRM> means: "press the keys 1, 2, and 3, and then press the key labeled 'confirm'."

(**hh:mm**) Signifies that the left two digits represent hours, and the right two digits represent minutes.

Text boxes are used to highlight information pertaining to the Drug Library option.



IMPORTANT: Read and understand all operating instructions and the "Alerts and Precautions" section of this manual before using the AS40A Infusion Pump.

Device Description

The AS40A Infusion Pump is designed to meet the fluid and drug delivery requirements of today's changing clinical environment. It provides for accurate continuous or intermittent infusion via intravenous (IV), intra-arterial (IA), epidural, or subcutaneous routes of administration.

The AS40A accepts standard disposable syringes from 1 mL to 60 mL in size. A numeric keypad simplifies programming and makes the pump easier to use. Safety and effectiveness are reinforced by pre-programmable bolus operation, titration of a dose without interruption of fluid flow, and easily understood alarm and alert messages.

The AS40A can be custom configured for the healthcare facility. This allows an institution or clinic to select those key features which meet specific requirements. Configurable options include: Drug Library feature, syringe manufacturer, automatic syringe size recognition, selectable infusion modes, maximum infusion rates, occlusion pressure sensitivity, and keypad auto lock. The selected options can be reviewed easily by the user and the chosen configuration can be changed to meet new or different requirements.

The AS40A can run on its internal rechargeable battery pack and can also be operated while attached to a battery charger.

The AS40A is supplied with a pole clamp and a built-in IV pole loop. The pump can also be used as a table-top unit.

Precautions



Federal (USA) law restricts this device to sale by or on the order of a physician.



The charger port is to be used only with "900 Series" chargers or other accessories that are labeled specifically for use with the AS40 Series Infusion Pumps.



CAUTION: No user serviceable parts inside. Refer all service, repair, and calibration to qualified technical personnel.



CAUTION: Do not operate the AS40A with or without a battery charger in the presence of flammable anesthetics, oxygen-enriched, or explosive atmospheres.

- **Though the factory-supplied configuration settings are suitable for most therapies, the operator and hospital professionals should verify that the pump's settings are appropriate for the clinical application.**
- **The Drug Library is a configuration option developed to facilitate pump infusion setup for individual patients based upon input from clinical users. Before using the Library for any specific drug, refer to the full prescribing information supplied by the drug manufacturer.**
- **As with all medical electronic equipment, care must be exercised to avoid exposing this device to powerful sources of electromagnetic interference. This device design has been tested to the requirements of MDS-201-0004, and to applicable portions of MIL-STD-461C, Part 4, which are voluntary test guidelines for electromagnetic susceptibility and emissions. This device was not found to be adversely affected by the susceptibility tests in these specifications, and will perform safely. The device's emissions were also found to be acceptable.**
- **Do not expose the pump to X-rays, gamma rays, or other ionizing radiation, or to strong electric or magnetic fields.**
- **Do not autoclave, steam sterilize, ETO sterilize, or subject the AS40A Infusion Pump or charger to temperatures in excess of 45 °C (113 °F).**
- **Do not use hard or sharp objects on the keypad.**

Precautions

- ① If a [LINE OCCLUDED] alarm occurs, **RELIEVE THE RESIDUAL PRESSURE IN THE SYRINGE BY RELEASING THE PLUNGER DRIVER.** If the pressure is not relieved prior to clearing the occlusion, an unintentional small bolus may occur when the blockage is cleared. Check for kinked tubing, clogged catheter, etc. Check for foreign material preventing movement of the pump mechanism.
- ① Be sure to **PURGE THE SYSTEM OF ALL AIR BEFORE ADMINISTERING ANY MEDICATION.** Failure to follow this normal infusion procedure could precipitate serious consequences.
- ① Remember that the volume of fluid contained in the connecting tubing is a residual amount and cannot be infused. Allow for this needed extra volume of fluid when initially filling the syringe.
- ① In Manual Schedule mode, **<START>** must be pressed to deliver each dose and continue the infusion regimen. Pressing any other key silences the audio alarm and leaves the pump in Standby state, without initiating a dose delivery.
- ① Although extreme care has been taken in assembly, component selection, and quality control during manufacture of Auto Syringe® pumps, routine procedures must be adhered to so that patients receiving medications can be assured of trouble-free operation.
- ① Caution must be exercised in the selection of drugs intended to be delivered via any infusion pump. If the drug contained in the syringe will be exposed to significant environmental conditions for prolonged time periods, **IT IS IMPORTANT TO SELECT DRUGS THAT WILL NOT CHANGE PHARMACOLOGICALLY UPON SUCH EXPOSURE.**
- ① As with all automatic infusion devices, whenever a **TOXIC OR DANGEROUS LEVEL** of drug is stored in the reservoir, **CONSTANT MONITORING** of the infusion is required.
- ① **CAUTION** must be employed to assure that your Auto Syringe® infusion pump is in good working order before putting it into use. If the pump is being operated on battery power alone, check to be sure that the battery has been charged as described in this manual.

Precautions

- **When the pump is first turned on, verify that the Lamp Test is accurate (see "Daily Check" section, page 60).**
- **Verify all program data before pressing <START>.**
- **Wipe off spills immediately. Do not allow fluid or residues to remain on the pump.**
- **Silent Running is a configurable option, available only in Single Dose mode, that silences the audio portion of the [<10 MIN EMPTY] alert and the [DOSE COMPLETE] alarm. This option is only recommended for infusions that are constantly monitored by a health care provider or by electronic instrumentation.**
- **If the SIZE OVERRIDE configuration option is enabled, an operator can manually override the Syringe Recognition feature. Incorrect syringe information may cause delivery errors.**

Repeated incorrect identification of syringe size by Syringe Recognition may signify a pump fault condition, or that a syringe manufacturer has made a dimensional change. The pump should be removed from service as soon as possible, so that the problem can be investigated.

Special Precautions for Epidural Administration

- Epidural administration of anesthetics is limited to short-term infusion (not to exceed 96 hours) with indwelling catheters specifically indicated for short-term anesthetic epidural drug delivery.
- Epidural administration of analgesics is limited to use with indwelling catheters specifically indicated for either short- or long-term analgesic epidural drug delivery.
- To prevent infusion of drugs that are not indicated for epidural use, do not use administration sets that incorporate injection sites during epidural delivery.
- It is strongly recommended that pumps used for epidural drug delivery be clearly differentiated from pumps used for other routes of administration.
- **WARNING:** Epidural administration of drugs other than those indicated for epidural use could result in serious injury to the patient.

Simplified Instructions

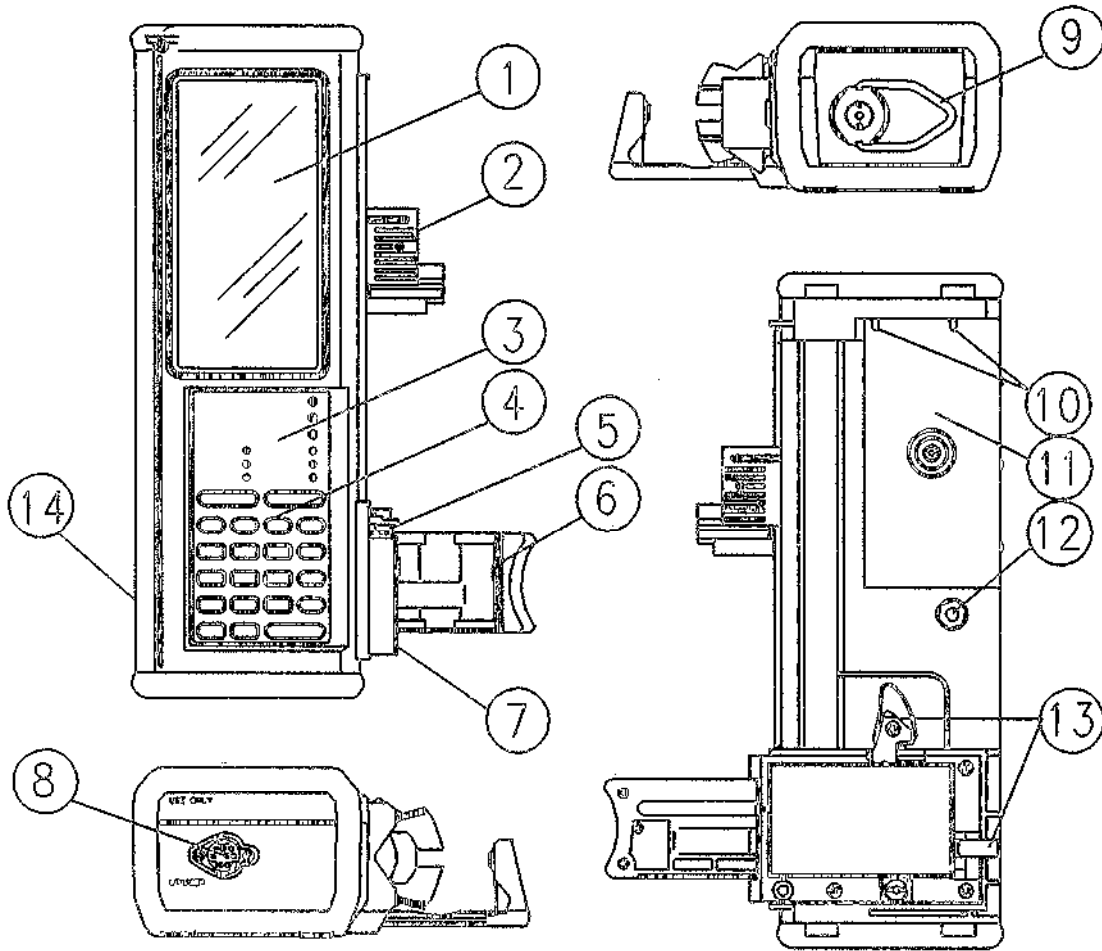
Programming

- 1) At the [SELECT MODE ▼▲] prompt, use <▼> or <▲> to step through the modes. Press <CONFIRM> to select the delivery mode.

If the Drug Library is installed, then at the [SELECT DRUG ▼▲] prompt, use <▼> or <▲> to step through the drug list. Press <CONFIRM> to select the drug.

- 2) Select syringe manufacturer and size, using <▲> or <▼> keys and <CONFIRM>.
- 3) Enter data as required.
 - ▶ The "active" field is the one that is flashing.
 - ▶ Use <▲>, <▼>, or number keys to display the desired value.
 - ▶ Press <CONFIRM> to enter the number.
- 4) Changing programmed data:
 - ▶ Use <▲> or <▼> key to move to the desired field.
 - ▶ Press <EDIT> key. The present number flashes.
 - ▶ Use <▲>, <▼>, or number keys to change the value.
 - ▶ Use <CONFIRM> key to enter the new number.
- 5) To program or edit the bolus size:
 - ▶ Press <BOLUS><EDIT>.
 - ▶ Set bolus size, using <▲>, <▼>, or number keys as required.
 - ▶ Press <START> to deliver bolus, or <CONFIRM> to store the bolus size.
- 6) To clear the TOTAL field:
 - ▶ Use <▲> or <▼> to select the TOTAL field.
 - ▶ Press <EDIT><CLR> to reset the total volume to [0.00].

Simplified Instructions



Refer. Num.	DESCRIPTION	Refer. Num.	DESCRIPTION
1	LCD Panel	8	Charger Port (I/O Port)
2	Plunger Assembly (Finger Grip, Plunger Clamp, Driver)	9	IV Pole Loop
3	Status Panel	10	Pole Clamp Mounting Pins
4	Keypad	11	Battery Cover
5	Tab Slot	12	Pole Clamp Attach Recess
6	Barrel Clamp	13	Barrel Clamp Release Levers
7	Cradle	14	ON/OFF Switch

Operation

- 1) Attach the IV set to the syringe and manually purge the filled syringe and tubing.
- 2) Mount the syringe on the pump.
 - ▶ Pull out the plunger driver (2), slide to top of the pump, and release.
 - ▶ Release barrel clamp (6), using lever (13) on side or rear of pump.
 - ▶ Place syringe in cradle (7), making sure the flange fits into the slot (5).
 - ▶ Close the barrel clamp (6) firmly against the syringe.
 - ▶ Pull out the plunger driver (2), slide down, capture top of syringe plunger, and release.
- 3) Turn the ON/OFF switch (14) to the "on" position.
- 4) Program the pump.
 - ▶ Use the arrow keys as needed to select the syringe and infusion regimen.

If the Drug Library is installed, use the arrow keys as needed to select the drug name, concentration, syringe, and infusion regimen.

 - ▶ Enter additional program data as prompted, using <CONFIRM> after each selection.
- 5) Purge the syringe and tubing.
 - ▶ Press <PURGE><START> to begin purging. Repeat if necessary. Press <STOP> if necessary to stop purging.
- 6) Press <START> to begin the infusion.

Programming The Continuous Infusion Modes

"mL/hr"	"Units/hr"	"mcg/min"	"mcg/kg/min"
Select Mode, syringe mfr, syringe size	Select Mode, syringe mfr, syringe size	Select Mode, syringe mfr, syringe size	Select Mode, syringe mfr, syringe size
			Enter patient body weight in kg.
	Enter drug concentration in Units per mL (U/mL).	Enter drug concentration in mg/mL.	Enter drug concentration in mg/mL.
Enter infusion rate in mL/hr	Enter the dose in Units per hour (U/hr)	Enter the dose in mcg/min	Enter the dose in mcg/kg/min
Enter the volume limit (mL)			
Enter bolus size in mL	Enter bolus size in Units	Enter bolus size in mg	Enter bolus size in mcg/kg
PURGE the system	PURGE the system	PURGE the system	PURGE the system
Press <START>	Press <START>	Press <START>	Press <START>

NOTES:

- 1) U/hr = Units per hour mL = milliliters kg = kilograms
mg = milligrams mcg = micrograms
- 2) Each mode is normally programmed in the sequence shown, in top-to-bottom order.
- 3) If the Drug Library is installed and active, these modes can be accessed directly by selecting [GENERAL] from the Drug Library.
- 4) The concentration is automatically entered when using a selection from the Drug Library. The concentration can be edited if the selected drug is configured as "Variable".

Programming The Timed Infusion Modes

"Single Dose"	"Manual Schedule"	"Auto Schedule"
Select Mode, syringe mfr, syringe size	Select Mode, syringe mfr, syringe size	Select Mode, syringe mfr, syringe size
Enter Dose Size (INFUSE) in mL	Enter Dose Size (INFUSE) in mL	Enter Dose Size (INFUSE) in mL
Enter Dose Duration (OVER) in hours and minutes (hh:mm)	Enter Dose Duration (OVER) in hours and minutes (hh:mm)	Enter Dose Duration (OVER) in hours and minutes (hh:mm)
	Enter Dose Interval (EVERY) in hours and minutes (hh:mm)	Enter Dose Interval (EVERY) in hours and minutes (hh:mm)
	Enter Dose Delay (NEXT DOSE IN) in hours and minutes (hh:mm)	Enter Dose Delay (NEXT DOSE IN) in hours and minutes (hh:mm)
PURGE the system	PURGE the system	PURGE the system
Press <START>	Press <START>	Press <START>
	When the DOSE DUE alarm sounds, press <START> to deliver one dose.	

NOTES:

- 1) U/hr = Units per hour mL = milliliters kg = kilograms
 mg = milligrams mcg = micrograms hr = hours
 min = minutes
- 2) Each mode is normally programmed in the sequence shown, in top-to-bottom order.
- 3) If the Drug Library is installed and active, these modes can only be accessed by selecting [GENERAL] from the Drug Library.

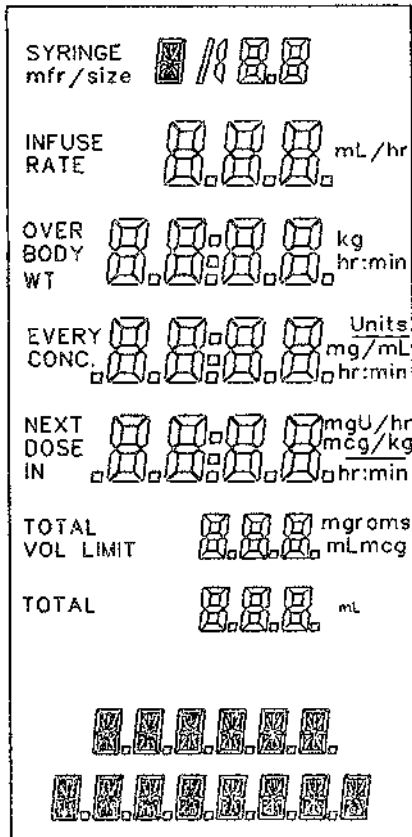
Simplified Instructions

General Device Information

Technical Specifications

Model:	AS40A Infusion Pump.
Catalog Code:	<ul style="list-style-type: none">• 1M8565 = with Drug Library Option• 1M8560 = without Drug Library Option (upgradable to 1M8565).
Size:	approx. 3.4" x 2.6" x 10" (8.6 x 6.7 x 25 cm)
Weight:	approx. 2.75 lbs. (1.25 kg)
Accuracy:	+/- 3% (not including syringe tolerance) For volume infusions: +/- 3%, or .007" of travel, whichever is greater (not including syringe tolerance).
Syringes:	B-D Plastipak [®] , 1, 3, 5, 10, 20, 30, 60 mL Monoject [®] , 1, 3, 6, 12, 20, 35, 60 mL Terumo [®] , 1, 3, 5, 10, 20, 30, 60 mL
Flow Rate Range:	0.01 mL/hr to 360 mL/hr (dependent on syringe size).
Deliverable Volume:	The full syringe volume can be delivered.
Data Display:	Self-prompting, multi-field LCD (Liquid Crystal Display)
Status Display:	Nine-LED (Light Emitting Diode) array
Power Requirement:	<ul style="list-style-type: none">• AC: 105-125V 60 Hz (battery charger)• DC: internal nickel-cadmium battery pack
Battery Life:	12 hours of operation at 2 mL/hr using a 60 mL syringe, following a 16 hour charge.
Temperature Range:	0 °C to 45 °C (32 °F to 113 °F) Note: Delivery of high viscosity fluids at low temperatures is not recommended.
Keypad:	Elastomeric type, with tactile feedback.
Construction:	High-impact plastic case with removable elastomeric protective bumpers. Water resistant.

The LCD Panel



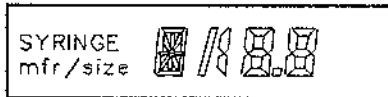
The LCD (Liquid Crystal Display) has eight information areas, called "fields". Except for the text field at the bottom, each field displays three types of information:

- 1) The words on the left side of each field, called "annunciators", identify the type of data contained in the field.
- 2) The central portion of each field displays variable numeric data, either decimal numbers or time. This data generally represents either infusion program information or an active display such as a running total of the amount of drug infused.
- 3) The annunciators on the right side show the applicable units of measure.

The bottom field of the LCD is a two-line text display, used to prompt the programming sequence or to display a message about the infusion.

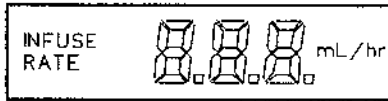
After the operating mode has been selected, the pump automatically displays the necessary fields to be programmed. When information is needed, the pump prompts by flashing the "active" field.

General Device Information



Field #1 displays the syringe manufacturer code and syringe size in mL.

- [B] = B-D®
- [T] = Terumo®
- [M] = Monoject®



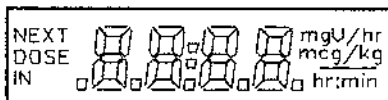
Field #2 displays the quantity to be infused (mL), or the infusion rate (mL/hr).



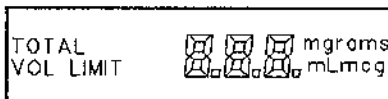
Field #3 displays dose duration (hh:mm), or patient body weight (kg).



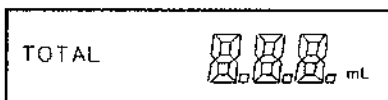
Field #4 displays dose interval (hh:mm), drug concentration (mg/mL, or Units/mL), or the bolus size (Units or mL).



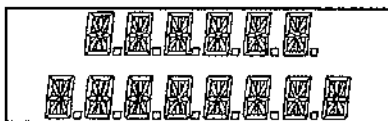
Field #5 displays the time remaining until the next dose is due (hh:mm), the dose size (mcg/min, mcg/kg/min, or Units/hr), or the bolus size (mg or mcg/kg).



Field #6 displays the total delivered (mL, mcg, mg, or grams), volume limit (mL), or bolus size (mL).



Field #7 displays the total amount that has been delivered (mL).



Field #8 displays a multitude of text prompts and messages.

The Keypad

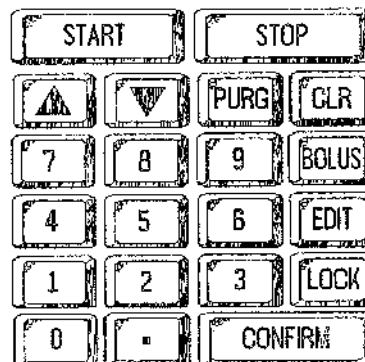
The keypad includes a standard decimal numeric keypad ("digit keys"), up and down arrow keys, and various function keys.

Arrow Keys



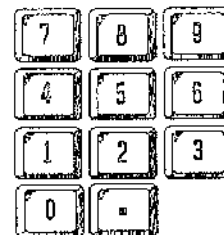
The UP arrow (Δ) key increases a number or moves to the next field.

The DOWN arrow (∇) key decreases a number or moves to the previous field.



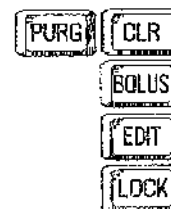
Digit Keys

The calculator-type numeric keypad is used to directly enter numeric values.



Function Keys

The five function keys (<PURGE>, <CLR>, <BOLUS>, <EDIT>, <LOCK>) perform specific tasks or activate specific functions.

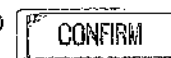


Action Keys

<START> and <STOP> begin and end actions.



The <CONFIRM> key is used to complete a step, to accept a prompt, or to display additional infusion program information.



The Status Panel

RUN lights The pump is in Run state when any of the green RUN lights are on.

When the three green RUN lights flash in sequence (called a "falling drop" pattern), the pump is infusing.

When only the top RUN light is flashing, the pump is counting time until an infusion is to begin.

All three RUN lights flash simultaneously during a bolus or purge.

ALERT The red ALERT light flashes during an alert or alarm, to indicate that operator attention is necessary. The front panel and status lights may display additional information.

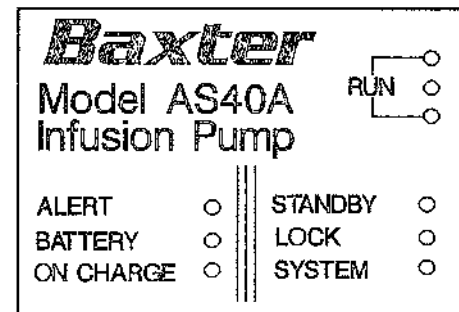
BATTERY When flashing, the red BATTERY light indicates that the battery charge is low. If the battery becomes significantly discharged, the BATTERY light stays on constantly and the pump goes into a "Failsafe Alarm" state.

ON CHARGE When on, the green ON CHARGE light indicates that the battery charger is plugged in.

STANDBY The yellow STANDBY light flashes to indicate that the pump is in Standby state.

LOCK When on, the yellow LOCK light indicates the keypad is locked.

SYSTEM The red SYSTEM light indicates that there is something wrong with the pump. The pump cannot operate until the problem is corrected. The infusion must be reprogrammed.



Operating States

Standby State

When the pump is in Standby state, the infusion is stopped and the yellow STANDBY light begins to flash. If the pump is left in Standby state, a "Pump Is Idle" alert or alarm occurs.

Run State

There are two Run states: Run Delivering state and Run Counting state.

In Run Delivering state, the infusion program is running and the pump is delivering an infusion. The three green RUN lights sequence in a "falling drop" pattern.

In Run Counting state, the top RUN light flashes. The infusion program is counting time until the next dose is due, and the pump is not delivering an infusion.

Note: Bolus and Purge operations are special infusion states. The RUN lights flash in unison when bolusing or purging.

Data Display and Entry

Numeric Data Numbers are displayed in a right-justified format. A leading zero is supplied when the field size permits.

For example, the value ".12" is displayed as [0.12].

Time Data Fields While entering hours and minutes, the digits are displayed right registered. Leading zero(es) are automatically supplied if needed.

For example, 1 minute is entered by pressing <1>, <CONFIRM> and is displayed as [0:01].

Automatic Decimal If a number is entered without a decimal point, the pump automatically places a decimal point to the right of the number when the <CONFIRM> key is pressed.

Flashing the Data The data within a field flashes to show that the field has been "opened" and is ready to be programmed or edited.

Flashing Annunciators The annunciators for the "active" field flash. The "active" field will be opened when <EDIT> is pressed.

Data Test All data is tested when it is entered (by pressing <CONFIRM>). If the entered value is too large or too small, the [PUMP LIMIT] error message will be displayed, a short audio beep will sound, and the pump will substitute the nearest acceptable value. Press the <CONFIRM> key to accept the new value, or else enter a different value.

Key Clicks The audio makes a sound when a key is pressed. An invalid keypress elicits a short "beep" sound. Simultaneous keypresses are ignored.

Extended Data Display While an infusion is in progress, pressing <CONFIRM> displays additional information for a few seconds, then automatically resumes the normal display.

Drug Library Option

Each pump with the Drug Library Option is provided with a Drug Library Chart, which summarizes the available drug library selections and delivery parameters. The Drug Library Option is a "list" of drug-specific infusion parameters that are stored in the AS40A memory.

Each drug selection in the Drug Library includes preset infusion parameters, including:

- Drug Name (abbreviated if necessary, to fit the display)
- Drug Concentration (Fixed or Variable)
- Drug Infusion Mode(s) (e.g. mcg/kg/min)

Some drugs have more than one available infusion mode. If so, then the next prompt after selecting the drug is [SELECT MODE ▼▲].

The Drug Library selection [GENERAL] allows access to all infusion modes (e.g. "mL/hr", "Units/hr", etc.).

The bolus infusion rate is specific to each drug. For some drugs, the bolus rate is also determined by the patient body weight.

When the Drug Library has been installed, it can be turned on (enabled) or turned off (disabled) by means of the pump configuration procedure. This procedure can be done on-site, and is described in the "AS40A Infusion Pump Technical Manual".

The Drug Library is a configuration option developed to facilitate pump infusion setup for individual patients, based upon input from clinical users. Before using the Library for any specific drug, refer to the full prescribing information supplied by the drug manufacturer.

Infusion Modes

The AS40A can deliver in seven modes, which fall into two major categories: "timed" and "continuous" infusions. Timed infusions deliver one or more equal doses according to a programmed schedule. Continuous infusions deliver at a steady, programmed rate. Each of these modes are briefly described below. For additional information, see the "Detailed Instructions" section of this manual.

"mL/hr" Mode

In "mL/hr" mode, the pump is programmed for a continuous infusion. The rate of infusion is programmed in milliliters per hour (mL/hr).

"Units/hr" Mode

In "Units/hr" mode, the pump is programmed for a continuous infusion. The drug concentration is entered in Units per milliliter (Units/mL), and the rate of infusion is entered in Units per hour (U/hr).

"Single Dose" Mode

In "Single Dose" mode, the pump is programmed to infuse a single dose over a specified period of time. The dose is entered in milliliters (mL), and the time period is entered in hours and minutes (hh:mm).

"Manual Schedule" Mode

In "Manual Schedule" mode, the pump is programmed to infuse a dose over a specified period of time, and to **repeat** the dose at specified intervals. The dose is entered in milliliters (mL), and the time period and interval are entered in hours and minutes (hh:mm).

The pump alerts the user when a dose is due to start, and the user must press <**START**> to initiate each dose.

"Auto Schedule" Mode

In "Auto Schedule" mode, the pump is programmed to infuse a dose over a specified period of time, and to repeat the infusion at specified intervals. The dose is entered in milliliters (mL), and the time period and interval are entered in hours and minutes (hh:mm).

Whereas "Manual Schedule" mode requires the user to press <START> to initiate each dose, "Auto Schedule" mode automatically starts each dose when it is due.

"mcg/min" Mode

In "mcg/min" mode, the pump is programmed for a continuous infusion. The drug concentration is entered in milligrams per milliliter (mg/mL), and the rate of infusion is entered in micrograms per minute (mcg/min). The pump automatically displays the effective rate in milliliters per hour (mL/hr).

"mcg/kg/min" Mode

In "mcg/kg/min" mode, the pump is programmed for a continuous infusion. The patient's body weight is entered in kilograms (kg), the drug concentration is entered in milligrams per milliliter (mg/mL), and the rate of infusion is entered in micrograms per kilogram of body weight per minute (mcg/kg/min). The pump automatically displays the effective rate in milliliters per hour (mL/hr).

Syringe Data Tables

These tables represent the performance ranges for infusion delivery parameters which are a function of the syringe dimensions.

Infusion Rate Ranges

Syringe Manufacturer	Syringe Size (mL)	Minimum Flow Rate (mL/hr)	Maximum Flow Rate (mL/hr)
B-D®	1	0.01	10
	3	0.02	30
	5	0.03	50
	10	0.1	100
	20	0.1	150
	30	0.1	200
	60	0.1	360
Monoject®	1	0.01	10
	3	0.02	30
	6	0.03	50
	12	0.1	100
	20	0.1	150
	35	0.1	200
	60	0.1	360
Terumo®	1	0.01	10
	3	0.02	30
	5	0.03	50
	10	0.1	100
	20	0.1	150
	30	0.1	200
	60	0.2	360

The "Maximum Rate" information in this table applies to pumps configured for Rate Range = High.

Rate Range = Medium limits the maximum rate to 120 mL/hr. Rate Range = Low limits the maximum rate to 10 mL/hr.

General Device Information

Deliverable Volumes

Syringe Manufacturer	Syringe Size (mL)	Minimum Volume (mL)	Maximum Volume (mL)
B-D®	1	0.03	1.0
	3	0.07	3.0
	5	0.11	5.0
	10	0.3	10
	20	0.4	20
	30	0.5	30
	60	0.8	60
Monoject®	1	0.03	1.0
	3	0.07	3.0
	6	0.11	6.0
	12	0.3	12
	20	0.4	20
	35	0.5	35
	60	0.8	60
Terumo®	1	0.03	1.0
	3	0.07	3.0
	5	0.11	5.0
	10	0.3	10
	20	0.4	20
	30	0.5	30
	60	0.8	60

This table shows the minimum and maximum programmable settings for bolus, volume limit, single dose, and scheduled dose deliveries.

Detailed Instructions

This section is a detailed description of the six basic steps required to operate the AS40A Infusion Pump:

- 1) Attach the IV set to the syringe and manually purge the filled syringe and associated tubing.
- 2) Mount the syringe on the pump.
- 3) Turn the "ON/OFF" switch on, and check pump operation.
- 4) Program the infusion.
- 5) Purge the syringe and tubing.
- 6) Press <START> to begin the infusion.

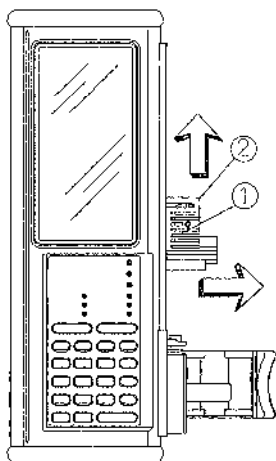
At the operator's option, the infusion may be programmed before mounting the syringe on the pump.

Preliminary Operations

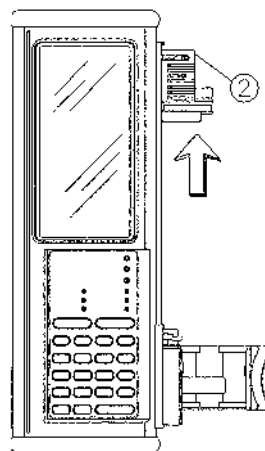
Manual Prime

Attach the infusion set to the filled syringe. Remove the sterile cap. Manually prime until a drop of fluid is visible at the end of the tubing. Replace the sterile cap on the end of the tubing.

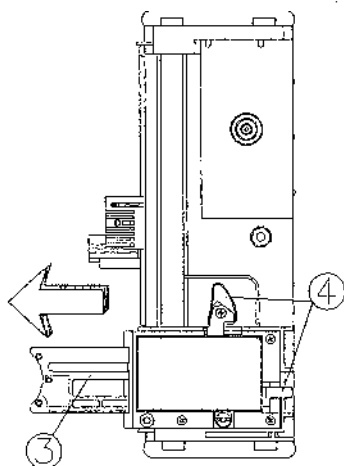
Mount the Syringe



- 1) Grasp the FINGER GRIP (1) on the DRIVER (2) and lift it all the way out.

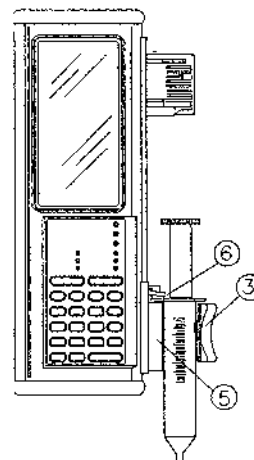


- 2) Slide the DRIVER to the top of the pump and release the FINGER GRIP.

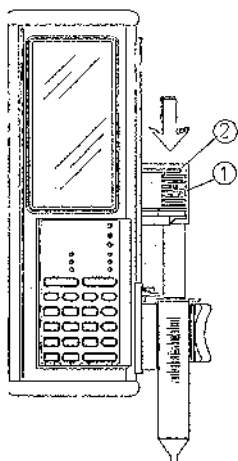


- 3) Open the BARREL CLAMP (3) by moving either of the BARREL CLAMP RELEASE LEVERS (4). Allow the clamp to slide all the way open.

- 4) Place the syringe in the CRADLE (5). Make sure the syringe is centered in the "V" of the cradle, and that the finger tab of the syringe fits into the TAB SLOT (6). Push the BARREL CLAMP (3) in firmly, so that it securely grips the syringe barrel. The barrel clamp is shaped to fit the heel of the hand, making it easier to firmly clamp the syringe.



Note: If the Syringe Detection feature is enabled, a [CHECK SYRINGE] message occurs when the syringe barrel is not centered in the clamp, or when the syringe finger tab (also called a "flange") is not captured by the TAB SLOT.



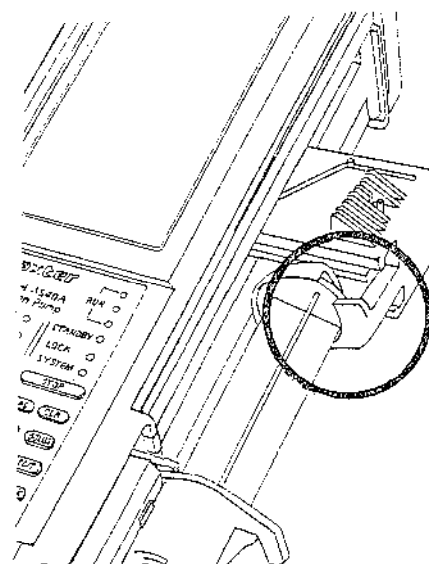
- 5) Grasp the FINGER GRIP (1) on the DRIVER (2) and lift it all the way out. Slide the DRIVER down until it contacts the syringe plunger, then release.

- 6) **Be sure the PLUNGER CLAMP captures the syringe plunger.**

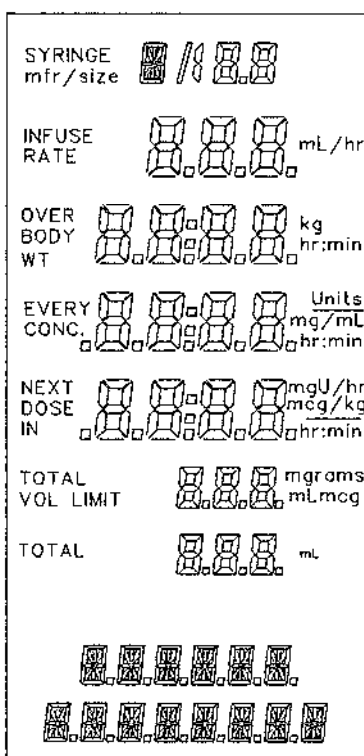
Turn the Pump On

The ON/OFF switch is on the left side of the pump, near the bottom. Turn the pump on by moving the switch up to the ON position.

The pump is turned off by moving the switch down to the OFF position.



Check the Lamp Test Display



As soon as the pump is turned on, it begins an automatic self-test. This includes a "Lamp Test" which turns on the LCD. Check to ensure that all the lights illuminate and that all parts of the LCD are legible. The AS40A Lamp Test display should be carefully checked daily or once per shift. See "Daily Check", Page 60.

To examine the LCD more closely during the Lamp Test, press and hold **<STOP>** while the LCD characters are all turned on (visible). The Lamp Test will complete after the **<STOP>** key is released.

The Lamp Test ends with a short beep. If the pump is configured to show an identifier message, it will appear at this time in the text display field (Field #8) at the bottom part of the LCD.

At the conclusion of the Lamp Test, the LCD will display either: **[SELECT MODE ▼▲]**, or **[SELECT DRUG ▼▲]**, depending on whether the Drug Library Option has been installed and enabled. Use either arrow key to step through the available selections, then press **<CONFIRM>**.

The AS40A is ready for programming an infusion when the preliminary operations have been completed.

Programming

For additional information about programming the AS40A, refer to the section titled "General Programming Information", page 38.

Using the Optional Drug Library

Each drug selection in the Drug Library is pre-configured to allow selection and programming of only the infusion modes best suited for delivery of that particular drug.

Many Drug Library selections allow only one delivery mode. When one of these selections is made at the [SELECT DRUG ▼▲] prompt, the pump will automatically select the delivery mode.

Some Drug Library selections allow several delivery modes. When one of these selections is made at the [SELECT DRUG ▼▲] prompt, the pump will follow with [SELECT MODE ▼▲]. Use either arrow key to step through the available mode selections, then press <CONFIRM>.

Refer to the appropriate delivery mode programming instructions, below.

"mL/hr" Mode Programming

If the Drug Library is installed and active, selecting [GENERAL] results in the [SELECT MODE ▼▲] prompt.

In "mL/hr" mode, the pump runs at a programmed, constant rate. There are three basic programming steps:

- 1) From the [**SELECT MODE** ▼▲] prompt, use <▼> or <▲> to step through the mode selection menus. Select "mL/hr" mode by pressing <CONFIRM> when the [ML/HR] message appears.
- 2) Use the <▼> or <▲> and <CONFIRM> keys as required to select syringe manufacturer and size.
- 3) Enter the infusion rate in mL/hr. Press <CONFIRM> to lock in the number.

Volume Limit

The Volume Limit feature is a configurable option, and is available only in "mL/hr" mode. The pump stops delivering when the programmed volume limit has been delivered.

Enter the desired volume limit at the [**ENTER VOL LIM**] prompt. Once the delivery begins, the VOL LIMIT field will display the amount of drug remaining until the programmed volume limit is reached. The pump stops when the VOL LIMIT field reaches zero.

For a single infusion, this feature can be disabled without reconfiguring the pump by programming zero [0] in the Volume Limit field.

Bolus in "mL/hr" Mode

If the infusion program is to include a bolus delivery, press <BOLUS> to obtain the bolus programming display. Press <EDIT>, then use <▼>, <▲>, or the digit keys to set the bolus size (in mL). Press <CONFIRM> to store the bolus size and return to the normal display. The bolus infusion rate is automatically set. See "Bolus Operation", page 44, for more information on bolus delivery.

"mL/hr" Programming Notes:

- 1) In a facility that uses only one or two syringe manufacturers, programming can be simplified by configuring the pump to prompt only for the syringe brand(s) actually used.
- 2) See "Syringe Data Tables", page 23, for minimum/maximum delivery parameters for each syringe.

- 3) Pressing <CONFIRM> during delivery briefly displays additional program data.

"U/hr" Mode Programming

If the Drug Library is installed and active, selecting [GENERAL] results in the [SELECT MODE ▼▲] prompt.

Units per hour ("U/hr") mode is a continuous infusion mode similar to "mL/hr" mode, except that the infusion is programmed by entering drug concentration and dose.

- 1) Select "U/hr" mode, syringe manufacturer, and syringe size using the <▼>, <▲> and <CONFIRM> keys, as previously described.
- 2) Enter the drug concentration (CONC.) in Units per mL (Units/mL). Press <CONFIRM> to lock in the number.
- 3) Enter the dose rate in Units per hour (U/hr). Press <CONFIRM> to lock in the number. The pump automatically calculates and displays the equivalent rate in mL/hr.

Bolus in "U/hr" Mode

In "U/hr" mode, bolus programming is similar to the procedure used in "mL/hr" mode, except that the bolus size is entered in Units and automatically converted to mL. Bolus rate is displayed in mL/hr. See "Bolus Operation", page 44, for more information on bolus delivery.

"U/hr" Programming Notes

- 1) The drug concentration range is from 0.01 Units/mL to 9999 Units/mL. The dose limits are determined by the drug concentration and syringe size. See "Syringe Data Tables", page 23, to find the maximum and minimum delivery rates for each syringe.
- 2) The CONC. field cannot be reprogrammed once the infusion has been started.

- 3) Pressing <CONFIRM> during delivery briefly displays additional program data.

If the Drug Library is installed and active, some drug selections may be configured for "fixed" concentration. The concentration cannot be altered when one of these drugs is selected.

"Single Dose" Mode Programming

If the Drug Library is installed and active, selecting [GENERAL] results in the [SELECT MODE ▼▲] prompt.

"Single Dose" mode delivers a programmed volume of drug (in mL) over a specified period of time. Bolus delivery is not available in this mode.

- 1) Select "Single Dose" mode, syringe manufacturer, and syringe size using the <▼>, <▲> and <CONFIRM> keys, as previously described.
- 2) Enter the dose volume (INFUSE) in mL. Press <CONFIRM> to lock in the number.
- 3) Enter the dose duration (OVER) in hours and minutes (hh:mm). All time displays use standard time notation: the two digits to the left of the colon show hours, the two digits to the right show minutes.
- 4) The pump will issue a [DOSE COMPLETE] alarm at the end of the infusion.

Silent Running

Silent Running is a configurable option that is available only in "Single Dose" mode. If Silent Running is enabled, the audio beeper will not sound when the [<10 MIN EMPTY] alert or the [DOSE COMPLETE] alarm occurs. **This option is only recommended for infusions that are constantly monitored by a health care provider or by appropriate instrumentation.**

"Single Dose" Programming Notes

- 1) The placement of the colon in the OVER field is fixed. This means that one or two trailing zeroes may need to be entered as "space holders", to make sure that the programmed time is correct.
- 2) If the INFUSE or OVER fields are edited, the pump will treat the result as a new infusion. As a reminder, [DOSE CANCELED] will appear for a few seconds.
- 3) If the TOTAL field is edited, the pump will not treat the result as a new infusion.

For Example:

- Program the pump to infuse 5 mL over 5 minutes, using a B-D 30 mL syringe. Stop the infusion when the "TOTAL mL" field shows that about 2 mL have been delivered. Now edit the "OVER" field to 6 minutes (note that [DOSE CANCELED] appears for a few seconds), and start the infusion. When the pump stops after 6 minutes, about 7 mL will have been delivered; 2 mL from the original infusion, and 5 mL from the edited infusion. **When a "Single Dose" infusion program is edited, it is then treated as a new infusion.**
- Turn the pump off, then back on and program the same infusion (5 mL over 5 minutes, B-D 30 mL syringe). Stop the infusion after about 2 mL have been delivered. This time, edit the "TOTAL mL" field by clearing it to [0.00]. Then restart the infusion. Note that when <START> is pressed, the message [DOSE RESUMES] is briefly displayed. When the pump stops, the "TOTAL mL" field will display about 3 mL. **If the "TOTAL mL" field is edited, the pump does not treat the result as a new infusion.**

- 4) Pressing <CONFIRM> during the delivery will briefly display the syringe, the delivery rate in mL/hr, and the operating mode.
- 5) Bolus operation is not available in this delivery mode.

"Manual Schedule" Mode Programming

If the Drug Library is installed and active, selecting [GENERAL] results in the [SELECT MODE ▼▲] prompt.

Manual Schedule operation is a timed infusion mode consisting of a programmed dose that is to be repeated at regular intervals. The dose is first programmed in mL over time (hours and minutes), and then the timer is set to sound an alarm when each dose is due. "Manual Schedule" mode also includes a first-dose delay, allowing a time delay before the infusion regimen begins.

Note that each dose delivery must be manually initiated in Manual Schedule operation.

- 1) Select "Manual Schedule" mode, syringe manufacturer, and syringe size using the <▲>, <▼>, and <CONFIRM> keys.
- 2) Enter the dose (INFUSE) in mL. Note that each dose will be the same size. Press <CONFIRM>.
- 3) Enter the dose duration (OVER) in hours and minutes, then press <CONFIRM>. This is the amount of time to infuse one dose.
- 4) Enter the interval (EVERY) in hours and minutes, then press <CONFIRM>. This is the time from the start of one dose to the start of the next dose.
- 5) Enter the delay (NEXT DOSE IN), then press <CONFIRM>. This is the time interval from when <START> is pressed until the first dose becomes due. Enter [0:00] to begin infusing the first dose immediately.

Dose Due

Field #5 (NEXT DOSE IN), shows the time remaining until the next dose is due to be delivered. When this time counts down to [0:00], the pump signals that the dose is due by flashing the ALERT and STANDBY lights, sounding continuous audio beeps, and showing [DOSE DUE] in the text field.

<START> MUST BE PRESSED TO BEGIN INFUSING EACH DOSE.

When a dose is due, pressing any key other than **<START>** silences the audio, turns off the **[DOSE DUE]** prompt and **ALERT** light, and leaves the pump in Standby state, but does NOT begin dose delivery. **<START> MUST BE PRESSED TO BEGIN INFUSING EACH DOSE.**

"Counting Time" Display

The three green **RUN** lights flash in a "falling drop" pattern while the pump is infusing. When the pump is counting time between scheduled doses, only the top **RUN** light flashes.

"Manual Schedule" Programming Notes

- 1) Bolus operation is not available in this delivery mode.
- 2) For all Manual Schedule infusion regimens, it is recommended that the "Idle Alarm" feature be enabled (configured), and that the "Auto Lock" feature be disabled (not configured).
- 3) The programmed delivery can be stopped at any time by pressing **<STOP>**. The green **RUN** light(s) then turn off, the yellow **STANDBY** light begins flashing, and the **TOTAL mL** field stops counting up. Press **<START>** to continue the program.
- 4) Pressing **<STOP>** affects the **NEXT DOSE IN** time field in several different ways, depending on the pump's infusion status at the time:
 - ① If **<STOP>** is pressed while the pump is infusing a dose (the three **RUN** lights flashing in sequence), the **NEXT DOSE IN** field will stop counting down, until **<START>** is pressed again. This feature allows the schedule to be delayed while ensuring delivery of the full dose.
 - ① If **<STOP>** is pressed while the pump is counting down the time to the next dose (only the top **RUN** light flashes), the **NEXT DOSE IN** field will continue to count down while the pump is stopped. This feature allows editing during idle time, without altering the overall schedule.
 - ① If a dose becomes due while the pump is stopped, the delivery will begin immediately when **<START>** is pressed.

- 5) Pressing <**CONFIRM**> during the delivery displays the syringe, the delivery rate (RATE) in mL/hr, the time until next dose (NEXT DOSE IN), the total delivered (TOTAL) and the operating mode.

Precaution: In Manual Schedule mode, <START> must be pressed to deliver each dose and continue the infusion regimen. Pressing any other key silences the audio alarm and leaves the pump in Standby state, without initiating a dose delivery.

"Auto Schedule" Mode Programming

If the Drug Library is installed and active, selecting [**GENERAL**] results in the [**SELECT MODE ▼▲**] prompt.

Auto (Automatic) Schedule operation functions very much like Manual Schedule, except that each dose delivery begins automatically when the NEXT DOSE IN timer reaches [0:00]. It is not necessary to press <**START**> to begin delivery of each dose. When each dose is due, the pump will deliver the dose automatically.

"Auto Schedule" Programming Notes

- 1) "Auto Schedule" mode programming and operation is identical to Manual Schedule mode, except that dose delivery is automatically initiated.
- 2) Bolus operation is not available in this mode.
- 3) Pressing <**CONFIRM**> during the delivery displays the syringe, the delivery rate (RATE) in mL/hr, the time until next dose (NEXT DOSE IN), the total delivered (TOTAL) and the operating mode.

"mcg/min" Mode Programming

If the Drug Library is installed and active, selecting [GENERAL] results in the [SELECT MODE ▽△] prompt.

In "mcg/min" operation, the pump runs at a programmed, constant rate. This is similar to "mL/hr" mode, except that the infusion is programmed in terms of drug concentration.

- 1) Select "mcg/min" mode, syringe manufacturer, and syringe size, using the <▲>, <▼>, and <CONFIRM> keys.
- 2) Enter the drug concentration (CONC.) in milligrams per milliliter (mg/mL). Press <CONFIRM> to lock in the number.

If programming a Drug Library selection, the drug concentration (CONC.) appears automatically.

- 3) Enter the dose in micrograms per minute (mcg/min). Press <CONFIRM> to lock in the number.

Bolus in "mcg/min" Mode

In "mcg/min" mode, the bolus size is programmed in milligrams (mg). The pump automatically calculates the equivalent bolus size in milliliters (mL), and displays both quantities when the bolus display is activated. See "Bolus Operation", page 44, for more information on bolus delivery.

"mcg/min" Programming Notes

- 1) After the DOSE field is programmed, the pump automatically calculates and displays the equivalent delivery rate in milliliters per hour (mL/hr).
- 2) The CONC. field cannot be edited (reprogrammed) if the infusion has been started and any amount of drug has been delivered.

Detailed Instructions

If programming a Drug Library selection that is configured for "fixed" concentration, the CONC. is automatically programmed, and cannot be edited (reprogrammed).

- 3) The concentration range is from .0001 to 100.0 milligrams per milliliter (mg/mL).
- 4) A bolus can only be programmed, edited, or delivered after the drug concentration (CONC.) has been programmed.
- 5) Pressing <CONFIRM> during delivery briefly displays additional program data.

"mcg/kg/min" Mode Programming

If the Drug Library is installed and active, selecting [GENERAL] results in the [SELECT MODE ▼▲] prompt.

In "mcg/kg/min" operation, the pump runs at a programmed, constant rate. This is similar to "mcg/min" operation, except that the infusion is programmed in terms of both drug concentration and patient body weight.

- 1) Select "mcg/kg/min" mode, syringe manufacturer, and syringe size, using the <▲>, <▼>, and <CONFIRM> keys.
- 2) Enter the patient body weight (BODY WT) in kilograms (kg). Press <CONFIRM> to lock in the number.
- 3) Enter the drug concentration (CONC.) in milligrams per milliliter (mg/mL). Press <CONFIRM> to lock in the number.

If programming a Drug Library selection, the drug concentration (CONC.) appears automatically.

- 4) Enter the dose (DOSE) in micrograms per kilogram of patient body weight per minute (mcg/kg/min).

Bolus in "mcg/kg/min" Mode

In mcg/kg/min operation, the bolus size is programmed in micrograms per kilogram of patient body weight (mcg/kg). The pump calculates the equivalent delivery in milliliters (mL), and displays both quantities when the bolus display is activated. See "Bolus Operation", page 44, for more information on bolus delivery.

"mcg/kg/min" Programming Notes

- 1) After the dose (DOSE) is programmed, the pump automatically calculates and displays the equivalent delivery rate in milliliters per hour (mL/hr).
- 2) The CONC. and BODY WT. fields cannot be reprogrammed once an infusion has been started.

If programming a Drug Library selection that is configured for "fixed" concentration, the CONC. field is automatically programmed, and cannot be edited (reprogrammed) at any time.

- 3) The concentration range is from .0001 to 100.0 milligrams per milliliter (mg/mL). The concentration range may be further limited for very large or small body weights. The patient body weight range is from 0.01 to 200.0 kilograms (kg).
- 4) A bolus can only be programmed, edited, or delivered after the drug concentration (CONC.) has been programmed.
- 5) Pressing <CONFIRM> during delivery briefly displays additional program data.

General Programming Information

Active Fields

The AS40A uses flashing annunciators (the words to the right and left of each field) to show which field is "active". Use the <▼> and <▲> arrow keys to

Detailed Instructions

change the "active" field to the next LCD field. Press <EDIT> to "open" the "active" field, so that it can be edited.

Editing in Standby State:

Almost every programmable field can be changed (edited) before a bolus or infusion has been started. The exceptions are:

- The drug concentration (CONC.) field cannot be edited when using a Drug Library selection that is configured for "fixed" concentration.
- Once the delivery mode and drug (if the Drug Library feature is active) have been selected, the only way to select a different drug or delivery mode is to shut the pump off, then turn it back on and reprogram.

The drug concentration (CONC.) and patient body weight (BODY WT) fields cannot be changed (edited) once an infusion or bolus has been delivered.

The procedure for editing program data differs according to whether the data has been "locked in" by pressing the <CONFIRM> key:

- **PRIOR TO** pressing <CONFIRM>, the data can be changed by simply pressing <CLR> and re-entering the new value.
- **AFTER** pressing <CONFIRM>, the data can only be edited after all remaining fields have been programmed. Then:
 - 1) Use the <▼><▲> (arrow keys) to step to the field in need of change.
 - 2) Press <EDIT>, use <▼>, <▲>, <CLR>, and digit keys as necessary to enter the new value, and press <CONFIRM> to complete the action.

For Example:

- Select ML/HR mode, and program a B-D 60 mL syringe. The RATE field now shows flashing dashes. Key in <100>, but do not press <CONFIRM>.
- Press <CLR>. The RATE field clears to dashes, because the number [100] had not been locked in by pressing <CONFIRM>.

Editing in Run State

The RATE and DOSE fields can be **edited** while the infusion is running. This allows "fine tuning" of the infusion without interruption of drug delivery.

The TOTAL field can be **cleared** while the infusion is running. Note that the TOTAL field is a data display, and cannot be edited.

Edit Cancellation

If a field is open for editing, pressing <EDIT> will restore the previous value. The pump will display [EDIT CANCELED] for a few seconds.

For Example:

- Select ML/HR mode, and program a B-D® 60 mL syringe. Enter <99> in the RATE field and a volume limit of 60 mL.
- The RATE field annunciators now flash to show it is currently the "active" field. Pressing <CLR> only results in an "invalid key" alert.
- Press <EDIT>. Key in another valid number.
- Press <EDIT> again. This will "undo" the change, restore the previous value ([99]), and display [EDIT CANCELED].

Number Out of Range

Every programmable field is limited to a particular range of allowed program values, depending on the syringe, drug concentration, and other factors. An attempt to program a value outside the acceptable range will result in a [PUMP LIMIT] error response. The pump will then beep and substitute the nearest acceptable value. Press <CONFIRM> to accept the value, or press <CLR> and then program a new value.

There is a certain expected range of program values for each Drug Library selection. The pump issues a precautionary message if a program value outside this normal range is entered. The precautionary messages are explained in the "Alert and Alarm Displays" section of this manual.

Data Test

Whenever a data field is edited, the pump tests the remaining program data fields for range limits. If there is a conflict, the affected fields are cleared to dashes, and the first cleared field is automatically opened for editing. As each cleared field is reprogrammed, the next cleared field if any, is automatically opened. All cleared fields must be reprogrammed before the infusion can be started.

<p>For Example: Reprogramming the "SYRINGE mfr" field automatically clears the "SYRINGE size" field.</p>
--

Expanded Data Display

During an infusion, the LCD generally displays only the most important infusion information. Pressing the <CONFIRM> key temporarily shows additional program information. Press <CONFIRM> again to restore the normal display immediately. If no key is pressed the normal display will automatically resume in a few seconds.

Additional Functions and Operations

Purge Operation

The AS40A "Purge Operation" function advances the syringe plunger driver a preset distance. The primary purpose of this function is to eliminate slack in the drive mechanism and thus ensure prompt fluid delivery when the infusion is started. To prevent unintended delivery to the patient, the tubing **must not** be connected to the patient while purging.

The "Purge Volume" shown in the Purge Delivery Table (next page) represents the nominal amount of drug that would be delivered in one complete Purge Operation cycle, if there were no slack in the drive system. This information is useful for calculating the excess fluid allowance when filling the syringe.

The Purge Operation can be stopped before the pump completes a full cycle. Manual purge followed by a Purge Operation is recommended whenever a syringe is mounted on the pump, prior to any connection to the patient.

Purge operation is allowed only when the pump is in Standby state.

Purge Procedure

- 1) After programming the pump, press **<STOP>** (if necessary), to put the pump in Standby state.
- 2) Press **<PURGE>**. The normal display is temporarily replaced by a display showing the purge rate in milliliters per hour (mL/hr), and the message **[PURGE READY]**.
- 3) Press **<START>** to begin delivering the fixed purge volume. Note: If **<START>** is not pushed within 10 seconds, the purge operation will be canceled and the pump will revert to Standby State.

The display will show **[PURGE RUNNING]** while the purge operation is in progress, then the normal Standby state display will be restored, and the text field will read **[PURGE COMPLETE]** for a few seconds.

- 4) Repeat steps (2) and (3) as often as necessary to obtain a steady drip at the end of the tubing.

Additional Functions and Operations

- 5) Purge operation delivers a fixed volume of fluid. If a steady drip of fluid is observed before the full purge volume is delivered, purge operation can be stopped immediately by pressing <STOP>.

Purge Delivery Table

Syringe Manufacturer	Syringe Size (mL)	Approximate Purge Volume (mL)	Purge Rate (mL/hr)
B-D®	1	0.02	10
	3	0.08	30
	5	0.16	50
	10	0.23	100
	20	0.39	150
	30	0.50	200
	60	0.76	360
Monoject®	1	0.02	10
	3	0.09	30
	6	0.17	50
	12	0.27	100
	20	0.45	150
	35	0.60	200
	60	0.76	360
Terumo®	1	0.02	10
	3	0.09	30
	5	0.18	50
	10	0.27	100
	20	0.44	150
	30	0.58	200
	60	0.91	360

Notes:

- ⊗ The purge rates shown here apply to pumps configured for Rate Range "H".
- ⊗ Purge volumes are approximately the amount that would be delivered in a single complete purge operation, without slack in the drive system.
- ⊗ The volume of purged fluid is not added to the amount displayed in the "Total Delivered" field .
- ⊗ During purge operation, all three RUN LEDs flash simultaneously.

Bolus Operation

A bolus is a fixed dose which may be programmed and delivered, either during an infusion or while the pump is in Standby state.

Bolus Units

Infusion Mode	Bolus Size Units
mL/hr	mL (milliliters)
Units/hr	Units
Single Dose	Bolus operation not available
Manual Schedule	Bolus operation not available
Automatic Schedule	Bolus operation not available
mcg/min	mg (milligrams)
mcg/kg/min	mcg/kg (micrograms of drug per kilogram of patient body weight)

Bolus Size Limits

The minimum programmable bolus size is approximately the same as the minimum deliverable volume (see "Syringe Data Tables", page 23).

The maximum programmable bolus size is the lesser of:

- The syringe size (the entire syringe may be programmed as a single bolus).
- 9999 Units, or 9999 mg, or 9999 mcg/min (whichever units are applicable).

Certain combinations of drug selection, patient body weight, bolus size, and drug concentration may result in a [BOLUS > (drug max)] or a [BOLUS < (drug min)] message. See page 67.

Bolus Rate Limits

In general, the bolus infusion rate is the same as the maximum infusion rate shown in the "Syringe Data Tables", page 23.

Certain combinations of drug selection, patient body weight, and drug concentration may limit the bolus infusion rate to a lower value.

Bolus Programming

- 1) Press the **<BOLUS>** key. The LCD changes to the Bolus display.
 - If there is no programmed bolus size, the text field will read **[PRESS EDIT TO SET BOLUS SIZE]**. Proceed to step (2).
 - If a bolus size has been programmed, the text field will read **[BOLUS READY]**. Press **<START>** within 10 seconds to begin bolus delivery, or proceed to step (2) to change the programmed bolus size.
- 2) Press **<EDIT>**, then use the **<▲>**, **<▼>**, **<CLR>**, and digit keys as necessary to program the bolus size.
- 3) Press **<START>** to begin bolus delivery immediately, or press **<CONFIRM>** to save the bolus size and return to the normal display.

Bolus Programming Notes

- Pressing **<BOLUS>** during the **[BOLUS READY]** or **[PRESS EDIT TO SET BOLUS SIZE]** display restores the normal display immediately.
- A bolus can be programmed and delivered from Standby state, even when the infusion has not been fully programmed. The minimum program data required for bolus operation are: Syringe mfr/size, drug concentration (if applicable), and body weight (if applicable).
- If there is insufficient program information for bolus operation, the text display will show **[DATA MISSING]** when **<BOLUS>** is pressed.

Bolus Delivery

During bolus delivery, the text display reads [**BOLUS RUNNING**] and all three RUN LEDs flash simultaneously.

- 1) To halt bolus delivery before the full bolus amount has been delivered, press **<STOP>**. This restores the normal display, and the text field will read [**BOLUS STOPPED**] for a few seconds.
- 2) If the pump is allowed to deliver the full bolus amount, then the normal display and operating state will be automatically restored. The text field will read [**BOLUS COMPLETE**] for a few seconds.

Bolus Delivery Notes

- During bolus delivery, the display will show the amount that has been bolused.
- If a bolus is delivered during an infusion, the infusion will resume automatically once the bolus delivery ends. If the bolus delivery is stopped prematurely by pressing **<STOP>**, the pump displays [**DOSE RESUMES**] for a few seconds.
- The bolus volume is added to the "Total Delivered" display after the bolus operation stops.

Bolus Review and Editing

Press the **<BOLUS>** key to review the bolus size. The bolus information will be displayed for about 10 seconds, or the normal display can be restored immediately by pressing **<BOLUS>** or **<CONFIRM>**.

A bolus may be programmed or edited during an infusion, without interrupting normal delivery. Bolus editing follows the same rules as initial bolus programming.

Repeating a Bolus Delivery

To repeat a bolus, first press **<BOLUS>** to display the bolus size, then press **<START>**.

Changing the Syringe

An empty syringe may be replaced when the pump is in the Standby state. If a different syringe size is used, the syringe size must be reprogrammed. The programming steps required to accomplish this task depend on whether the Syringe Recognition feature has been enabled (configured).

- If Syringe Recognition **is enabled**, the syringe size can be edited while the pump is stopped, but there may be several additional prompts:
 - 1) The pump will automatically display [**VERIFY (name)**]. ("name" refers to the syringe manufacturer).
 - 2) Use <▲>, <▼>, and <**CONFIRM**> to select the correct syringe manufacturer.
 - 3) The pump will then check the syringe size and display [**VERIFY xx ML**] (where "xx" represents the syringe size).
 - 4) Verify that the syringe size is correct by pressing <**CONFIRM**>. Note: if the wrong syringe size is displayed, refer to "In Case of Difficulty", page 62.

- If Syringe Recognition **is not enabled**, the syringe size can be edited while the pump is stopped:
 - 1) Press <▲> or <▼> until the Field #1 annunciator (SYRINGE mfr/size) flashes.
 - 2) Press <**EDIT**> to begin the editing process.
 - 3) Use <▲>, <▼>, and <**CONFIRM**> as needed to select the correct syringe manufacturer.
 - 4) Use <▲>, <▼>, and <**CONFIRM**> as needed to select the correct syringe size.

Note that changing syringe size may invalidate the contents of other fields (e.g. VOL LIMIT). In such cases, the pump will automatically clear the necessary field(s). The infusion cannot be continued until all cleared fields have been reprogrammed.

Lock and Auto Lock Functions




The Lock function serves two purposes. First, it reduces risk of accidental key activations by disabling all keys except <LOCK>. Second, by disabling the audio portion of the "Pump is Idle" alert, the Lock function allows the pump to be programmed in advance of delivery.

After the infusion has been programmed, the Lock function can be activated by pressing the <LOCK> key. Pressing <LOCK> again restores normal operation. The yellow LOCK light remains on while the Lock function is active.

The AS40A Auto Lock feature can be enabled through pump configuration, as part of the "Misc" group. The Auto Lock feature automatically sets the Lock function two minutes after the last keypress, instead of activating a "Pump is Idle" alert. See page 68.

The Total Delivered Field

The Total Delivered field displays the accumulated total volume (in mL) that has been delivered. Some delivery modes also show the total delivery in other units such as mcg or mg. Either or both of the bottom data fields (Fields #6 and #7) may be used to display Total Delivered data.

TOTAL		mgrams
VOL LIMIT		mLmcg
TOTAL		mL

The Total Delivered field cannot be programmed, but can be cleared (reset to zero). Use the <Δ> or <▽> arrow key until the "Total Delivered" display field annunciators flash, then press <EDIT><CLR> to clear the field. After resetting the Total Delivered field to zero, the previous value cannot be restored.

Purge volumes are not included in the total, because purged fluid is not intended to be infused into the patient.

If the accumulated total becomes too large to display (i.e. over 999 mL), the field will show [EEE].

Configuration

The AS40A infusion pump can be custom-configured to "tailor" each pump to meet particular needs, or to simplify infusion programming.

Configuration Review

The AS40A Configuration Review feature allows the pump's configuration to be examined without risk of accidental alteration. This feature is activated by entering the code number <123> at the initial prompt ([**SELECT MODE** ▼▲] or [**SELECT DRUG** ▲▼]). Ignore the "Invalid Key" beeps that occur when entering the code.

The configurable options are organized into several groups, each of which begins with a prompt that requires a "yes" or "no" response. Each option category is identified by name in the text display field, followed by a question mark (for example: [**VIEW MODES ?**]). The upper text field displays a [**Y**] (for "yes"), which represents the pending response.

Press <**CONFIRM**> to accept the pending response, and begin reviewing the options within that category. The text field will display only the options that are configured. Pressing <**CONFIRM**> steps to the next option. When the last option in a category has been displayed, the next category prompt is displayed (for example: [**VIEW MFRS?**]).

To skip a category, press either <▲> or <▼> to change the [**Y**] to [**N**] (for "no"), indicating that review of this category is not wanted, and press <**CONFIRM**> to advance the screen to the next category.

For Example:

To review the "Modes" group, the initial prompt is [**VIEW MODES?**]. Answering [**Y**] (the default response) opens up that group for review. Answering [**N**] skips that group and prompts for the "manufacturers" group ([**VIEW MFRS?**]).

The table on the next page shows the configuration group headings, and the configurable selections within each group. Note that inactive features and selections are not shown in Configuration Review mode.

Configuration

AS40A Configuration Review Tree Access code: <123>			
GROUP PROMPT	GROUP SELECTIONS		
[VIEW DRUGS?]	Pumps With Drug Library: List of configured drugs. Pumps Without Drug Library: [GENERAL] or [NONE DEFINED]		
[VIEW MODES?]	ML/HR UNITS/HR	SINGLE DOSE MANUAL SCHEDULE	AUTO SCHEDULE MCG/MIN MCG/KG/MIN
[VIEW MFRS?]	B-D	MONOJECT	TERUMO
[VIEW DFAULTS?]	DRUG DEFAULT MFR DEFAULT	MODE DEFAULT SYRING DEFAULT	
[VIEW MISC?]	DRUG LIBRARY SYRING RECOGNIT SIZE OVERRIDE	PSI RANGE RATE RANGE AUDIO RANGE AUTO LOCK	VOLUME LIMIT SILENT RUNNING IDLE ALARM

Configurable Options

The option categories are listed here and in the table above, in the order in which they appear during Configuration Review. Note: the terms "enabled" and "configured" are both used to signify that an option has been selected or activated by appropriate pump configuration settings.

Drugs ([VIEW DRUGS?])

This option category displays the configured drugs, one at a time. Refer to the Drug Library chart, provided with the Drug Library Option, for a complete list of drugs.

Within the "View Drugs" group, drugs that are configured for **variable** concentration will be displayed by name only. Drugs configured for **fixed** concentration will display the concentration in addition to the name.

Modes ([VIEW MODES?])

This option category lists the infusion modes that are configured. Each listing shows only the mode name (e.g [ML/HR]) in the text field. There are seven infusion modes: "mL/hr", "Units/hr", "Single Dose", "Manual Schedule", "Auto Schedule", "mcg/min", and "mcg/kg/min".

Most Drug Library selections are restricted to use with a limited set of infusion modes. When the Drug Library Option is enabled and a drug is selected, all infusion modes appropriate to that Drug Library selection will be available, regardless of pump configuration.

For Example:

Mivacurium ([MIVACURI]) can only be infused in "mcg/kg/min" mode. Selecting this drug automatically enables "mcg/kg/min" mode, whether or not it was enabled as a configuration option.

Syringe Manufacturers ([VIEW MFRS?])

This option category displays the syringe manufacturers (brands) that are configured. The available options are: B-D[®], Monoject[®], and Terumo[®].

Defaults ([VIEW DFAULTS?])

This option category displays the "default" options that are configured. The AS40A allows four "default" options: [DRUG DEFAULT], [MODE DEFAULT], [MFR DEFAULT], [SYRING DEFAULT]. The defaults enable the pump to "remember" the selection that was used for the previous infusion, and to provide that selection in response to the first <▼> or <▲> keypress. This feature is especially useful when a particular drug, mode, or syringe is used frequently.

Miscellaneous ([VIEW MISC?])

This option category displays the "miscellaneous" options that are configured. The "miscellaneous" group options are: Drug Library, Syringe Recognition, Syringe Detection, Size Override, Occlusion Sensitivity (PSI Range), Audio Range, Rate Range, Auto Lock, Volume Limit, Silent Running, and Idle Alarm.

Drug Library ([DRUG LIBRARY])

This configuration setting determines whether the Drug Library will be available to the operator (enabled). See also "Drug Library Option", page 20.

Syringe Recognition ([SYRING RECOGNIT])

After a syringe has been mounted and the manufacturer has been programmed, Syringe Recognition automatically identifies and displays the syringe size. This simplifies programming, and reduces opportunity for operator error.

Size Override ([SIZE OVERRIDE])

This feature allows the operator to instruct the pump to accept a syringe size other than the size identified by Syringe Recognition. The arrow keys are used to alter the displayed size, then the operator is prompted to press <CONFIRM> several times to verify the change.

Precaution: If the SIZE OVERRIDE configuration option is enabled, an operator can manually override the Syringe Recognition feature. Incorrect programming of syringe information may cause delivery errors.

Repeated incorrect identification of syringe size by Syringe Recognition may signify a pump fault condition, or that a syringe manufacturer has made a dimensional change. The pump should be removed from service as soon as possible, so that the problem can be investigated.

Syringe Detection ([SYRING DETECT])

Syringe Detection is a safety feature that issues an alert or an alarm if the syringe is improperly mounted in the barrel clamp. Syringe Detection is automatically enabled when Syringe Recognition is configured.

Occlusion Sensitivity ([PSI RANGE])

The PSI Range option sets the occlusion detection system operating range. Three choices are available: H = High (highest backpressure), M = Medium, L = Low (lowest backpressure).

Audio Range ([AUDIO RANGE])

The audio beeper level can be configured for normal ([H]=high) or quiet ([L] =low) volume level. The recommended setting is [H]=high. The quiet setting should only be used in noise-sensitive environments where the infusion is constantly monitored.

Rate Range ([RATE RANGE])

The Rate Range option limits the maximum delivery rate to the lesser of:

- 1) The syringe maximum (see "Infusion Rate Ranges" table, page 23),
- or 2) 360 mL/hr ("H"), 120 mL/hr ("M"), or 10 mL/hr ("L").

The minimum delivery rate is as shown in the "Rate Ranges" table, regardless of the Rate Range setting.

Auto Lock ([AUTO LOCK])

If an infusion has been programmed, the Auto Lock feature automatically turns on the Lock function two minutes after the last keypress.

Volume Limit ([VOLUME LIMIT])

This feature operates in "mL/hr" mode only. The Volume Limit feature triggers an alarm after the pump has delivered a programmed amount of drug.

This feature also issues an alert when the Volume Limit will be reached within ten minutes of delivery, at the current infusion rate.

Silent Running ([SILENT RUNNING])

The Silent Running configuration option can only be used in Single Dose mode. This feature silences the audio portion of the [**< 10 MIN EMPTY**] / [**< 10 MIN (drug name)**] alert and the [**DOSE COMPLETE**] alarm.

Precaution: This option is only recommended for infusions that are constantly monitored by a health care provider or by electronic instrumentation.

Idle Alarm ([IDLE ALARM])

When the Idle Alarm feature is **enabled** (configured as [Y]), the occurrence of a [**PUMP IS IDLE**] alert will cause the pump to beep continuously. When the Idle Alarm feature is **disabled** (configured as [N]), the occurrence of a [**PUMP IS IDLE**] alert will cause the pump to beep 15 times, every 2 minutes.

Identifier

The Identifier is not a Configuration Review option, but is included here for reference purposes. The identifier is a short message (up to 8 characters) that is displayed for three seconds following the Lamp Test. The Identifier can be created or edited during the pump configuration process. The available characters include the letters A-Z, the numerals 0-9, the dash (-), and the space character.

Terminating Configuration Review

When the last "Miscellaneous" option has been reviewed, the pump automatically restarts the Lamp Test, as if it had just been turned on.

To cancel Configuration Review at any time, simply turn the pump off.

Custom Configuration

The AS40A can be reconfigured as often as desired, to select features that best suit the needs of the healthcare facility.

If there is any question regarding the pump's current configuration or applicability for a particular clinical application, the operator and healthcare professionals should verify that the settings are appropriate.

While no special tools are needed, the configuration can be changed only by designated personnel.

Standard Configuration

The factory standard configuration is:

► **Drugs:**

Pumps with Drug Library Option (1M8565): Some of the Drug Library selections are configured as "fixed" or "variable" concentration. The remaining selections are not enabled.

Drug selections configured as "fixed" are displayed with a concentration (CONC.) value. Those configured as "variable" are displayed without a concentration (CONC.) value.

Pumps without Drug Library Option (1M8560): Only [GENERAL] is available. [GENERAL] is disabled (N).

► **Modes:**

ML/HR	= (Y) enabled	UNITS/HR	= (Y) enabled
SINGLE DOSE	= (Y) enabled	MANUAL SCHEDULE	= (Y) enabled
MCG/KG/MIN	= (Y) enabled	AUTO SCHEDULE	= (Y) enabled
MCG/MIN	= (Y) enabled		

► **Manufacturers:**

B-D®	= (Y) enabled	Monoject®	= (Y) enabled
Terumo®	= (Y) enabled		

► **Defaults:**

DRUG DEFAULT	= (Y) enabled	MODE DEFAULT	= (N) disabled
MFR DEFAULT	= (N) disabled	SYRINGE DEFAULT	= (N) disabled

► **Misc:**

DRUG LIBRARY		AUDIO RANGE	= (H) high
1M8565 pumps	= (Y) enabled	RATE RANGE	= (H) high
1M8560 pumps	= (N) disabled	AUTO LOCK	= (N) disabled
SYRINGE RECOGNITION	= (Y) enabled	VOLUME LIMIT	= (Y) enabled
SYRINGE DETECTION	= (Y) enabled	SILENT RUNNING	= (N) disabled
SIZE OVERRIDE	= (N) disabled	IDLE ALARM	= (Y) enabled
PSI RANGE	= (M) medium		

► **Identifier: none**

Charging the Battery

The battery charger cord plugs into the bottom of the pump.

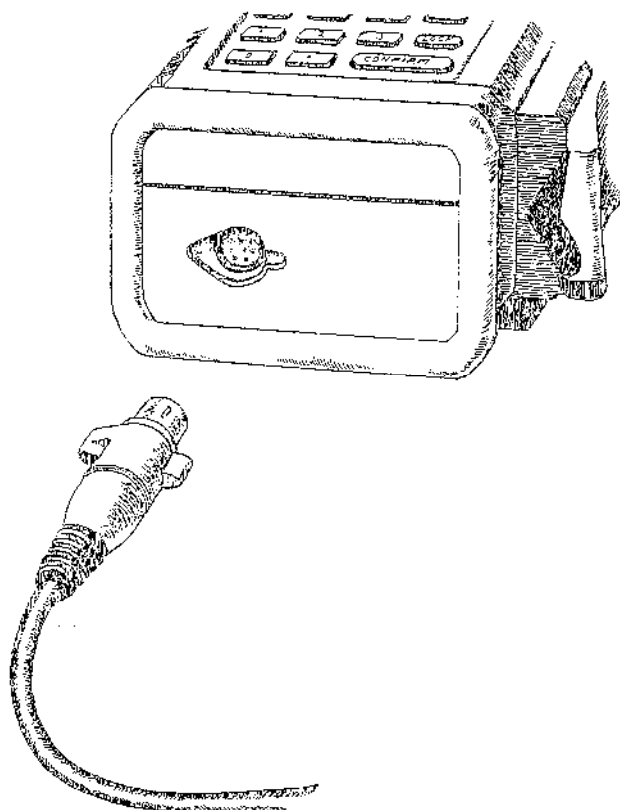
Note that the plug and receptacle are shaped to fit only one way. DO NOT force the plug into place.

For best battery life, the battery should be charged for at least 16 hours before using the pump. Disconnect the charger if the pump is not to be used within the next 48 hours. Prolonged overcharge and high temperature shorten the battery service life.

Do not charge or store the pump in direct sunlight, or under excessively warm conditions.

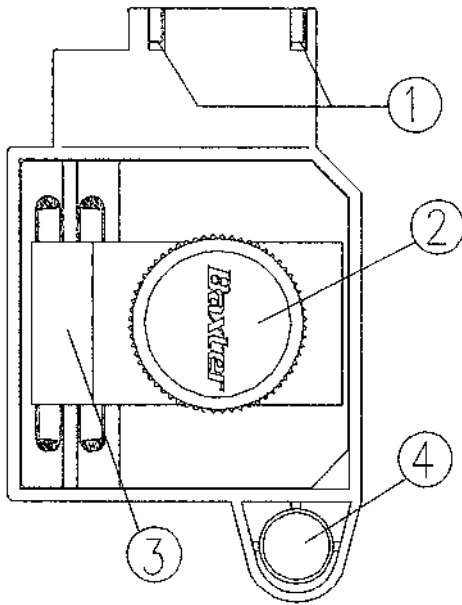


Use only "900 Series" chargers or other accessories that are labeled specifically for use with AS40 Series Infusion Pumps. The standard battery charger (USA) is Model #C-AS40-01-900.



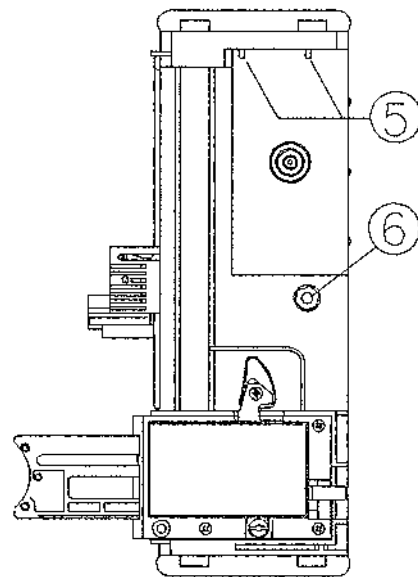
I.V. Pole Clamp

The pump is supplied with a detachable, adjustable clamp which allows the AS40A to be mounted to a standard vertical IV pole. The Pole Clamp can be adjusted to allow the pump to be used on a horizontal pole.



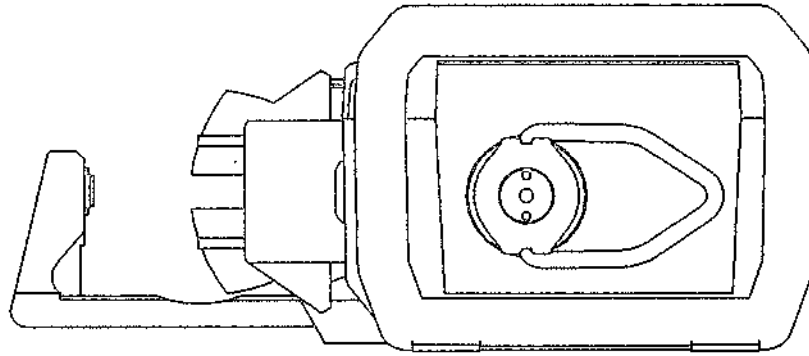
To attach the IV pole clamp to the AS40A, first slide the clamp in place, so that the MOUNTING PIN CUTOUTS (1) on the clamp engage the MOUNTING PINS (5) built into the rear of the pump. Tighten the MOUNTING SCREW (4) into the threaded RECESS (6) just below the battery cover. Tools are not required for this operation.

The JAW (3) clamps the pump to the IV pole. Turn the KNOB (2) counterclockwise to open the jaw, and clockwise to close it. Tighten the knob by hand only. Do not use tools to tighten the knob.



IV Pole Loop

The AS40A pump includes a IV pole loop built into the top of the pump. This loop may be swiveled as required, or folded down and out of the way when not in use.



Pump Maintenance

The standard AS40A requires minimal maintenance. However, the pump should be inspected daily for proper operation, as explained below. Spills and dirt should be cleaned off the pump as quickly as possible.

If the pump is used in a critical care situation, it should be monitored for frequent [ATTACH CHARGER] or [BAD BATTERY] messages, which may signify a need to replace the battery or to modify the user's recharging practices. As with all rechargeable batteries, the battery service life will vary according to usage. Overcharge and extreme temperatures will reduce battery service life.

Cleaning

All the external moving parts must be kept clean. Dirt, sticky films, or foreign substances that are allowed to harden may cause unnecessary delivery problems.

Do not sterilize by autoclave, ETO, gamma ray, or any other method that is harmful to plastic materials or electronic devices.

The exterior may be cleaned by a mist spray, or by wiping with a damp sponge, nonmetallic brush, swabs, etc. Blot dry with a soft cloth.

The moving parts may be cleaned by irrigation with a gentle water spray. Be sure the pump is held in a horizontal position, so the liquid drains out the side of the drive housing and not at the ends.

The charger plug and ON/OFF switch areas must be kept clean and dry at all times. Liquids spilled into the barrel clamp area may temporarily cause excess [CHECK SYRINGE] alerts. Drying generally restores proper operation.

Acceptable cleaning agents are:

- Mild, unscented detergent and water.
- Distilled or deionized water followed by hygroscopic (drying) rinse to promote drying.
- Dilute isopropyl alcohol (maximum concentration: 15%)
- Dilute ethyl alcohol
- Commercial nonabrasive germicidal cleansers, such as:
 - "kleenaseptic[®]" (Vickers)
 - "O-Syl[®]" (National Laboratories)

Pump Maintenance

- "Zeptisol[®]" solution (Calgon Vestal Labs)
- "Staphene[®]" aerosol (Calgon Vestal Labs)
- "Bafix[®]" aerosol (Hysan Corp.)
- "Dow Cleaner[®]" (Dow Chemical)
- "Steriphene II[®]" (Spartan Chemical)
- "Amphyl[®]" (National Laboratories)
- "Omega[®]" and "A3" (Airwick Industries)
- 5% chlorine bleach solution in water

Follow manufacturer's dilution instructions for concentrated cleaners.

Do not use petroleum based spray solvents, penetrant, or any type of penetrating oil.

Daily Check

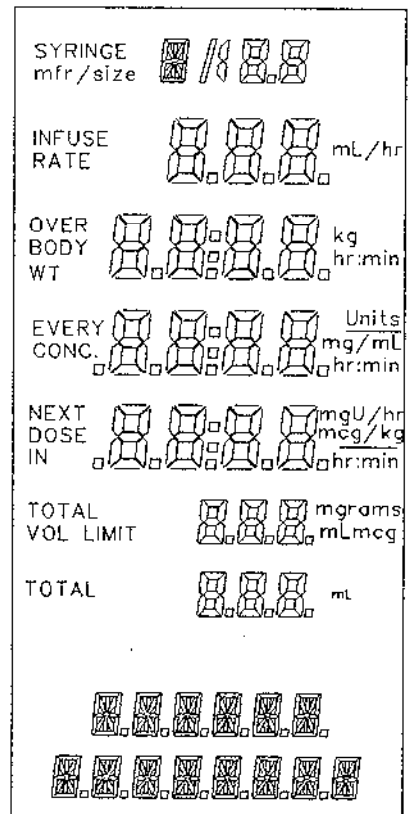
The Daily Check should be performed prior to programming an infusion.

Keypad Check

- 1) After the pump completes the power-up Lamp Test, press every key except the <▲> and <▼> arrow keys in any order, one key at a time. Each keypress should result in a short beep.
- 2) Press any two (or more) keys simultaneously. There should be no response.
- 3) Press and hold any key (except <▲>, <▼>, <START>, <STOP>). There should be only one beep, no matter how long the key is held down.
- 4) Press and hold any key (except <▲>, <▼>, <START>, <STOP>), then press any other key. There should be no response to the second keypress.
- 5) Press and briefly hold down the <START> and <STOP> keys, one at a time. The pump should sound repeated beeps while each key is held down. *Holding down the <START> key for a prolonged period of time may cause a "stuck key" failsafe alarm.*

Mechanical Check

- 1) Before using the pump, check for slippage of the plunger driver by applying gentle back pressure. If there is any sign of slippage, take the pump out of service. Check the plunger driver for free travel through its full range. Check the barrel clamp for free travel and proper locking.
- 2) When connecting the charger, make sure that the charger plug and socket are clean and fully engaged, and that the "ON CHARGE" light is on when the charger is plugged in.
- 3) Make sure the pad is in place on the barrel clamp. The pad is white rubber with a black plastic "pill" about 1/3 of the way from one end.



Display Check

- 1) Press and hold the <STOP> key during the normal power-up Lamp Test. This will show the entire display. Compare the display to the illustration. Verify that all annunciators, decimal points, and digits are legible.
- 2) Be sure that all lights on the Status Panel light up during the Lamp Test. Note: If the charger is plugged in, the **ON CHARGE** light will be on before, during, and after the Lamp Test.

In Case of Difficulty

Check the infusion set carefully to be sure the tubing is not pinched, and that there are no obstructions to prevent proper fluid flow.

Problems associated with a particular syringe size or manufacturer are likely to be caused by variations in syringe dimensions. Typical symptoms are: an inability to completely empty certain syringes, **[LINE OCCLUDED]** alarms when the syringe becomes empty, and frequent **[CHECK SYRINGE]** messages.

Avoid applying tape, paper stickers, labels, etc. to the syringe. Such materials increase the apparent diameter of the syringe barrel, which can impair the accuracy of the Syringe Recognition system.

Syringe Recognition problems may be caused by improperly mounted syringes. Excess clamping force can crush the syringe barrel, which results in an erroneous barrel diameter reading.

Syringe Detection problems (e.g. frequent **[CHECK SYRINGE]** messages) may be caused by improperly centering the syringe in the barrel clamp cradle.

If the pump fails to operate as described, contact Product Services for assistance:

(1-800-THE-PUMP, or 1-800-843-7867)

Alert and Alarm Displays

The AS40A notifies the user when important conditions occur:

- 1) **Error Responses:**
The wrong key has been pressed, or there is some other minor problem. An advisory message may accompany an error response.
- 2) **Alerts:**
A condition has occurred which requires attention.
- 3) **Alarms:**
Immediate action is required in order to proceed with operation.
- 4) **Failsafe Alarms:**
Something is wrong, and the pump has gone into a "failsafe shutdown" condition.

The red ALERT light flashes during an alert or an alarm, to indicate that operator attention is necessary. The front panel and status lights may display additional information.

Some messages may fit more than one category, depending on circumstances. To avoid confusion, the alert/alarm descriptions are grouped as shown below:

Error Responses	Alerts
[▽▲ IN USE] [CHECK SYRINGE] [DATA MISSING] [FINISH EDITING] [KEYPAD LOCKED] [LOAD SYRINGE] [NOT ALLOWED] [OUT OF RANGE] [PUMP LIMIT] [SIZE MISMATCH] [SIZE UNKNOWN]	[<10 MIN EMPTY] [<10 MIN VOL LIM] [<10 MIN(drug name)] [ATTACH CHARGER] [BOLUS > (drug max)] [BOLUS < (drug min)] [DOSE > (drug max)] [DOSE < (drug min)] [EDITING] [PUMP IS IDLE] [RATE > (drug max)] [RATE < (drug min)] [SILENT RUNNING] [VERIFY > (drug max)] [VERIFY < (drug min)]
Failsafe Alarms	Alarms
[BAD BATTERY] [POWER FAULT] [(error code)]	[CAL SENSORS] [DOSE COMPLETE] [DOSE DUE] [DRUG CORRUPT] [DRUGS CORRUPT] [DRUGS INVALID] [EMPTY] [LINE OCCLUDED] [VOLUME LIMIT]

Error Responses

An inappropriate keypress is signaled by a short beep. Most problems or programming errors are signaled by an audible tone and an error message.

MESSAGE: [▼▲ IN USE] (1 beep)

CAUSE: Trying to use digit keys to edit a number that has been modified with an arrow key. Numbers can be entered with digit keys or with arrow keys, but not both at the same time.

CORRECTION: Continue programming with the arrow keys, or clear the field and reprogram it with digit keys.

MESSAGE: [CHECK SYRINGE] (single or continuous short beeps)

CAUSE: The syringe is improperly mounted.

CORRECTION: Any key silences the audible tone. Make sure the syringe is centered in the barrel clamp cradle, and that the syringe flange (tab) is in the barrel clamp tab slot. Use the heel of the hand to press the barrel clamp firmly against the syringe.

If this alarm occurs during an infusion, then after correcting the problem, press <START> to resume the infusion.

MESSAGE: [DATA MISSING] (1 beep)

CAUSE: Pressing <START>, <PURG>, or <BOLUS> when the program information is incomplete.

CORRECTION: Enter the additional data required. See "Purge Operation" and "Bolus Operation" sections.

MESSAGE: [FINISH EDITING] (1 beep)

CAUSE: Pressing <START> while a field is open for editing.

CORRECTION: Complete the editing process.

Alert and Alarm Displays

MESSAGE: [**KEYPAD LOCKED**] (1 beep)

CAUSE: Pressing a key while the LOCK function is active.

CORRECTION: Press <**LOCK**> to unlock the keypad.

MESSAGE: [**LOAD SYRINGE**] (1 beep)

CAUSE: Attempt to start an infusion without a syringe in place.

CORRECTION: Mount a syringe after manually purging.

MESSAGE: [**NOT ALLOWED**] (1 beep)

CAUSE: <**BOLUS**> key pressed when the bolus feature is not allowed for the selected drug.

CORRECTION: Use drug selection [**GENERAL**].

MESSAGE: [**OUT OF RANGE**] (1 beep)

CAUSE: No bolus is possible for the current combination of syringe, body weight, and drug concentration.

CORRECTION: Use a different syringe or drug concentration.

MESSAGE: [**PUMP LIMIT**] (1 beep)

CAUSE: Attempt to program a value outside the pump's acceptable range.

CORRECTION: Pump displays nearest acceptable value. Press <**CONFIRM**> to accept displayed value, or else enter a different value and press <**CONFIRM**>.

Alert and Alarm Displays

MESSAGE: [SIZE MISMATCH] (single beep)

CAUSE: The detected syringe size is different from the programmed size.

CORRECTION: Press <CLR> as required. The pump will prompt for verification of syringe manufacturer, and then will check the syringe size again.

MESSAGE: [SIZE UNKNOWN] (single beep)

CAUSE: The pump cannot identify the syringe size for the selected manufacturer.

CORRECTION: Check to be sure the correct manufacturer has been programmed. Ensure that the barrel clamp is fully closed.

Alerts

MESSAGE: [<10 MIN EMPTY] (15 beeps)

CAUSE: At the present rate of infusion, approximately 10 minutes remain until the syringe is empty.

Note: Since this function is sensitive to variations in syringe dimensions, the exact timing of this alarm may vary.

CORRECTION: Any key silences the audible tone. The alarm is reset when a filled syringe is installed, or when the plunger driver is moved back.

MESSAGE: [<10 MIN (drug name)] (15 beeps)

CAUSE: At the present rate of infusion, approximately 10 minutes remain until either the volume limit setting is reached, or the syringe is empty.

CORRECTION: Any key silences the audible tone.

MESSAGE: [**<10 MIN VOL LIM**] (15 beeps)

CAUSE: At the present rate of infusion, approximately 10 minutes remain until the volume limit setting is reached.

CORRECTION: Any key silences the audible tone.

MESSAGE: [**ATTACH CHARGER**] (10 long beeps, flashing BATTERY light)

CAUSE: The internal battery needs charging. If a charger is not connected, or is not charging the battery, this alarm will repeat every 15 minutes.

CORRECTION: Connect the charger. When the battery charge reaches the normal operating range, the alarm will self-cancel.

Note: If the battery voltage is very low, the alarm may recur once or twice after the charger is connected.

MESSAGE: [**VERIFY > (drug max)**] or [**VERIFY < (drug min)**]
[**BOLUS > (drug max)**] or [**BOLUS < (drug min)**]
[**DOSE > (drug max)**] or [**DOSE < (drug min)**]
[**RATE > (drug max)**] or [**RATE < (drug min)**]

CAUSE: User attempted to enter a program value outside the normal range for a selected drug.

These are precautionary messages, calling attention to the fact that unusual infusion parameters have been entered. The [VERIFY ...] message appears the first time the field is programmed with an extra large or small value. If the same field is later edited with a different value that is still outside the normal range, the message will be [DOSE ...], [RATE ...], or [BOLUS ...] (whichever is applicable) instead.

MESSAGE: [**EDITING**] (no audio, or continuous beeps)

CAUSE: The [EDITING] message appears while a data entry field is being edited. The continuous beeps occur when:

- 1) An infusion is in progress,
- 2) The Rate or Dose field is being edited, and

3) There has been no keypress for 15 seconds.

CORRECTION: Complete the editing operation.

MESSAGE: **[PUMP IS IDLE]** (15 beeps, or continuous beeps)

CAUSE: The pump has been in Standby state for at least 2 minutes. Also occurs if there is no keypress within 15 seconds after the infusion is stopped.

CORRECTION: Any key silences the audible tone. The Lock function suppresses this alert. Note: If the keypad is locked, there will be no beeps, but the **[PUMP IS IDLE]** message will still appear.

MESSAGE: **[SILENT RUNNING]** (Single Dose mode only)

CAUSE: The pump is configured to enable "Silent Running" operation and the pump is infusing in Single Dose mode.

CORRECTION: This is an informational display. If Silent Running is not desired, the pump must be reconfigured to disable this feature.

Alarms

MESSAGE: **[DOSE COMPLETE]** (continuous beeps)

CAUSE: ("Single Dose" infusion only) The programmed dose has been delivered.

CORRECTION: Any key silences the audible tone.

MESSAGE: **[DOSE DUE]** (continuous beeps)

CAUSE: ("Manual Schedule" infusion only) The NEXT DOSE IN timer has reached **[0:00]**, and the next dose is due to be delivered.

Alert and Alarm Displays

CORRECTION: Any key silences the audible tone. Press **<START>** to deliver the scheduled dose.

MESSAGE: **[DRUG CORRUPT]**, **[DRUGS CORRUPT]**, **[DRUGS INVALID]** (single beep)

CAUSE: The pump has detected an error in the internally stored drug library information.

CORRECTION: Repair is advised. Remove the pump from service as soon as possible. The **[DRUGS CORRUPT]** and **[DRUGS INVALID]** errors automatically disable the Drug Library. The **[DRUG CORRUPT]** error disables the affected drug, but allows selecting from the remaining drugs.

MESSAGE: **[EMPTY]** or **[EMPTY (drug name)]** (continuous beeps)

CAUSE: The syringe is empty.

CORRECTION: Any key silences the audible tone. Release and slide the plunger driver back at least 1½ inch (4 cm) to reset the alarm. Note: due to variability in syringe dimensions, some syringes may cause a **[LINE OCCLUDED]** alarm to occur before the **[EMPTY]** alarm.

MESSAGE: **[LINE OCCLUDED]** (flashing ALERT light, continuous beeps)

CAUSE: There is a line constriction or other condition that causes excess plunger force.

CORRECTION: The alarm automatically stops the pump. Any key silences the audible tone. Check for empty syringe, kinked tubing, clogged catheter, etc. Check for foreign material preventing movement of the pump mechanism. **RELIEVE RESIDUAL SYRINGE PRESSURE BY RELEASING THE PLUNGER DRIVER.** An unintentional small bolus may occur when the blockage is cleared, if the plunger driver is not released. The message clears when the infusion is successfully restarted.

Alert and Alarm Displays

MESSAGE: [VOLUME LIMIT] (flashing ALERT light, continuous beeps)

CAUSE: The programmed volume limit has been reached.

CORRECTION: Any key silences the audible tone. Restarting the pump (by pressing <START> or initiating a bolus) will reset the Volume Limit field.

Failsafe Alarms

Failsafe alarms only occur when proper operation cannot be assured. The infusion cannot be restarted, and must be reprogrammed after the problem has been corrected. The pump must be turned off to clear the alarm.

MESSAGE: [BAD BATTERY] (SYSTEM and BATTERY lights illuminated. Continuous, alternating High/Low long beeps.)

CAUSE: The battery voltage is below minimum operating level.

CORRECTION: Connect the charger and recharge the battery for at least 16 hours.

MESSAGE: [POWER FAULT] (SYSTEM and BATTERY lights illuminated. Continuous, alternating High/Low long beeps)

CAUSE: The pump's internal power supply is out of tolerance.

CORRECTION: Repair is required. Remove the pump and charger from service.

MESSAGE: [(error code)] (SYSTEM light illuminated, alternating High/Low long beeps)

CAUSE: An internal error has been detected.

CORRECTION: Repair is required. Note all displayed error codes. Make a note of the conditions prior to the error. Take the pump out of service.

Note: In some cases, there may not be a legible error code display.

Warranty

Baxter Healthcare Corporation ("Baxter") warrants that the equipment shall be free from defects in material and workmanship when delivered to the original purchaser. Baxter's sole obligation shall be limited to repair or replacement at Baxter's option and expense, of the defective part or unit for a period of one year following the date of initial delivery.

The warranty extends only to the original purchaser and is not assignable or transferable, and shall not apply to auxiliary equipment or disposable accessories.

THERE ARE NO OTHER WARRANTIES INCLUDING ANY IMPLIED WARRANTY AND ANY WARRANTY OF MERCHANTABILITY OR FITNESS FOR A PARTICULAR PURPOSE WHICH EXTEND BEYOND THE DESCRIPTION OF THE PRODUCT AND THOSE EXPRESSLY SET FORTH IN ITS LABELING. UNLESS USED ACCORDING TO THE DIRECTIONS ACCOMPANYING THE PRODUCT, ALL WARRANTIES ARE SPECIFICALLY EXCLUDED. In no event shall Baxter Healthcare Corporation be responsible for incidental, consequential, or exemplary damages. Modification, alteration, recalibration or abuse, and service by other than a Baxter Healthcare Corporation authorized representative may void the warranty.

Service Information

While under Baxter Healthcare Corporation Warranty, Service Agreement (optional), or lease agreement, the instrument must not be opened by unauthorized personnel.

To contact Baxter Healthcare Corporation Customer Service Division for service and repair information for all instruments, call 1-800-THE-PUMP or 1-800-843-7867.

Shipping costs for all units returned to Baxter Healthcare Corporation shall be paid by the customer. The unit must be packed in its original container or in another Baxter approved container that will provide adequate protection during shipment. To ensure prompt return, a Baxter Product Service representative must be notified before shipping any unit for repair. When calling Baxter Product Service, please be prepared to provide code number and serial number of the unit. A service request number will be issued and should accompany all communications. A brief written description of the problem should be attached to the instrument when it is returned for service.

Baxter Healthcare Corporation will not be responsible for unauthorized returns or for units damaged in shipment due to improper packing.

INDEX

- " ... " (quotes) 1
- "Auto Schedule" 11, 22, 35, 50
- "Fixed" 31, 37-39, 55
- "Manual Schedule" 11, 21, 22, 33, 34, 50, 68
- "mcg/kg/min" 10, 22, 37, 38, 50, 51
- "mcg/min" 10, 22, 36, 37, 50
- "mL/hr" 1, 10, 20, 21, 28-30, 36, 50, 53
- "Single Dose" 11, 21, 31, 32, 50, 68
- "Units/hr" 10, 20, 21, 50
- "Variable" 10, 55
- "Variable" concentration 55
- Accuracy 13, 62
- ALERT light 17, 34, 63, 69, 70
- Angle Brackets 1
- Annunciators 14, 19, 38, 40, 48, 61
- Audio range 50-52, 55
- Auto Lock 2, 34, 48, 50, 51, 53, 55
- Barrel Clamp 8, 9, 26, 52, 59, 61, 62, 64, 66
- Battery Charger 2, 3, 13, 17, 56
- BATTERY Light 17, 67
- Bolus 2, 4, 7, 10, 15-18, 20, 24, 25, 29-32, 34-39, 44-46, 64, 65, 69, 70
- Cleaning 59
- Configuration 2, 3, 5, 20, 48-55
- Configuration Review 49, 50, 54
- Continuous Infusion 10, 21, 22, 30
- Cradle 8, 9, 26, 62, 64
- Custom Configuration 54
- Daily Check 5, 19, 27, 60
- Data test 19, 41
- Defaults 51, 55
- Deliverable Volume 13, 44
- Deliverable Volumes 24
- Delivery Mode 7, 28, 32, 34, 39
- Delivery Modes 28, 48
- Delivery Rate 32, 35, 36, 38, 53
- Delivery Rates 30
- Digit Keys 16, 29, 39, 45, 64
- Dose Duration 11, 15, 31, 33
- Dose Interval 11, 15
- Dose Size 11, 15
- Driver 4, 8, 9, 25, 26, 42, 61, 66, 69
- Drug Concentration 10, 15, 20, 21, 22, 30, 36-40, 44, 45, 65
- Drug Default 50, 55
- Drug Library 1-3, 7, 9-11, 13, 20, 27, 28, 30, 31, 33, 35-40, 50, 51, 55, 69
- Drugs 4, 6, 20, 31, 50, 55, 69
- Editing 34, 39-41, 46, 47, 64, 68
- Epidural 2, 6
- Epidural Administration 6
- Error 19, 40, 52, 63, 64, 69, 70
- Failsafe 17, 60, 63, 70
- Finger Grip 8, 25, 26
- Fixed 20, 31, 32, 37-39, 42-44, 50, 55
- Fixed concentration 50
- Identifier 27, 54, 55
- Idle Alarm 34, 50, 51, 53, 55
- Infusion Mode 20, 30, 33, 44
- Infusion Modes 2, 10, 11, 20, 21, 28, 50, 51

Infusion Set 25, 62
 Interval 11, 15, 21, 22, 33
 Keypad 1-3, 8, 13, 16, 17, 60,
 65, 68
 Lamp Test 5, 27, 54, 60, 61
 LCD 8, 13, 14, 27, 39, 41, 45
 Lock 2, 16, 17, 29-31, 34, 36,
 37, 48, 50, 51, 53,
 55, 65, 68
 LOCK light 17, 48
 Maintenance 59
 Messages 2, 15, 40, 59, 62, 63,
 67
 Miscellaneous 51, 54
 Mivacurium 51
 Mode 4, 5, 7, 10, 11, 14, 20, 21,
 22, 27-40, 44, 49,
 50, 51, 53, 55, 68
 Mode Default 50, 55
 Number Keys 7
 Occlusion Sensitivity 51, 52
 ON CHARGE light 17, 61
 Operating States 18
 Plunger Clamp 8, 27
 Plunger Driver 4, 9, 42, 61, 66,
 69
 Pole Clamp 2, 8, 57
 Power 4, 13, 60, 61, 70
 Prime 25
 Problems 59, 62, 64
 PSI Range 50-52, 55
 Purge 4, 9-11, 16-18, 25, 42, 43,
 48, 64
 Quotes 1
 Rate Range 13, 23, 43, 50, 51,
 53, 55
 RUN lights 17, 18, 34
 Run State 17, 18, 40
 Silent Running 5, 31, 50, 51, 53,
 55, 68
 Size Override 5, 50-52, 55
 Square Brackets 1
 STANDBY light 17, 18, 34
 Standby State 4, 17, 18, 34, 35,
 39, 42, 44, 45, 47,
 68
 Status lights 17, 63
 Syringe Data 23, 25, 29, 30, 44,
 45
 Syringe Detection 26, 51, 52,
 55, 62
 Syringe Manufacturer 2, 5, 7,
 15, 29-31, 33, 36,
 37, 47, 52, 66
 Syringe Manufacturers 29, 51
 Syringe Recognition 5, 47, 51,
 52, 55, 62
 Syringes 2, 13, 62, 69
 SYSTEM light 17, 70
 Temperature 13, 56
 Terminating 54
 Timed Infusion 11, 33
 Timed Infusions 21
 Total Delivered 15, 35, 43, 46,
 48
 Variable 10, 14, 20, 50, 55
 Variable Concentration 50
 Volume Limit 10, 15, 24, 29, 40,
 50, 51, 53, 55, 66,
 67, 70
 [...] (square brackets) 1

TEXT MESSAGES

[<10 MIN (drug name)] 53, 66
[<10 MIN EMPTY] 5, 31, 53,
63, 66
[<10 MIN VOL LIM] 63, 67
[ATTACH CHARGER] 59, 63, 67
[AUDIO RANGE] 52
[AUTO LOCK] 53
[BAD BATTERY] 59, 63, 70
[BOLUS < (drug min)] 44, 63,
67
[BOLUS > (drug max)] 44, 63,
67
[BOLUS READY] 45
[CAL SENSORS] 63
[CHECK SYRINGE] 26, 59, 62,
63, 64
[DATA MISSING] 45, 63, 64
[DOSE < (drug min)] 63, 67
[DOSE > (drug max)] 63, 67
[DOSE CANCELED] 32
[DOSE COMPLETE] 5, 31, 53,
63, 68
[DOSE DUE] 33, 34, 63, 68
[DOSE RESUMES] 32, 46
[DRUG CORRUPT] 63, 69
[DRUG LIBRARY] 51
[DRUGS CORRUPT] 63, 69
[DRUGS INVALID] 63, 69
[EDITING] 63, 67
[EMPTY (drug name)] 69
[EMPTY] 63, 69
[FINISH EDITING] 63, 64
[GENERAL] 10, 11, 20, 28, 30,
31, 33, 35-37, 50,
55, 65
[IDLE ALARM] 53
[KEYPAD LOCKED] 63, 65
[LINE OCCLUDED] 4, 62, 63,
69
[LOAD SYRINGE] 63, 65
[NOT ALLOWED] 63, 65
[OUT OF RANGE] 63, 65
[POWER FAULT] 63, 70
[PRESS EDIT TO SET BOLUS
SIZE] 45
[PSI RANGE] 52
[PUMP IS IDLE] 53, 63, 68
[PUMP LIMIT] 19, 40, 63, 65
[RATE < (drug min)] 63, 67
[RATE > (drug max)] 63, 67
[RATE RANGE] 53
[SELECT DRUG ▼▲] 7, 27, 28,
49
[SELECT MODE ▼▲] 7, 20, 27,
28, 29-31, 33, 35,
36, 37, 49
[SILENT RUNNING] 53, 63, 68
[SIZE MISMATCH] 63, 66
[SIZE OVERRIDE] 52
[SIZE UNKNOWN] 63, 66
[SYRINGE DETECT] 52
[SYRINGE RECOGNIT] 52
[VERIFY < (drug min)] 63, 67
[VERIFY > (drug max)] 63, 67
[VIEW DFAULTS?] 50, 51
[VIEW DRUGS?] 50
[VIEW MFRS?] 49-51
[VIEW MISC?] 50, 51
[VIEW MODES?] 49, 50
[VOLUME LIMIT] 53, 63, 70
[▼▲ IN USE] 63, 64

This page is intentionally blank.



Baxter Healthcare Corporation
I.V. Systems Division
1425 Lake Cook Road
Deerfield, IL 60015
708/948-2000
800/843-7867
FAX: 708/948-3346

LAS40-01-705 (AUGUST 1993)
© Copyright 1991, 1992, 1993. Baxter Healthcare Corporation.
All rights reserved